

Set-up Sheet - Extended or Tapered Wing Board™

MT-WB08 or MT-WB10

Patient: _____

Date: _____

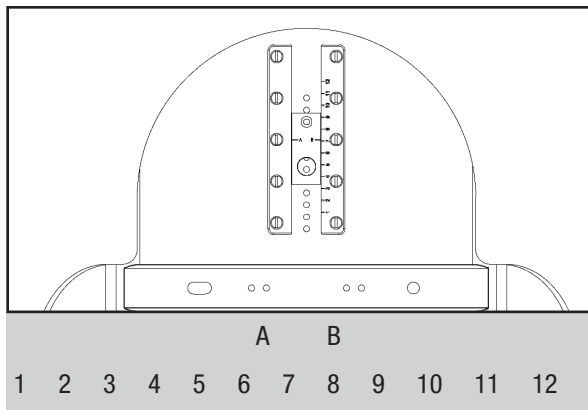
Notes: _____

1. The Lok-Bar™ is indexed to the table at (i.e. H1, F2): _____

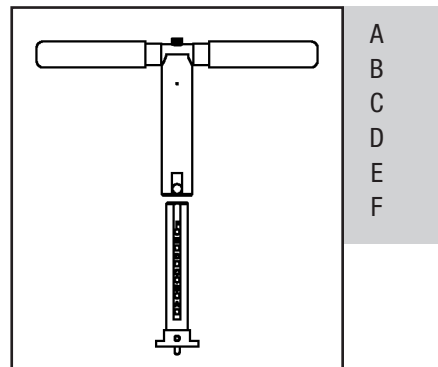
2. Handle Type (select one)

U-Grip T-Grip

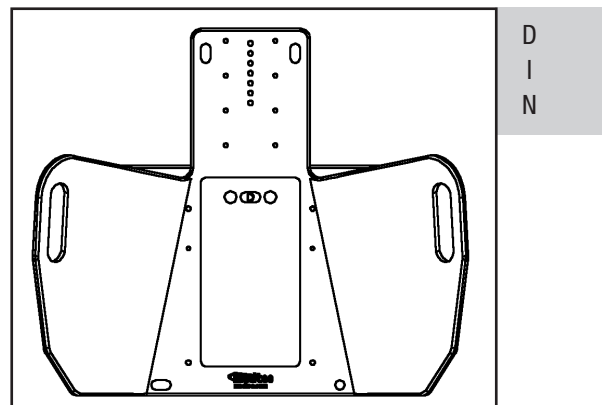
3. Handle Location (select one for each)



4. Handle Height – T-Grip only (select one)



5. Wing Board Location on a Breastboard – MT-WB10 only (select one)



Global Sales Office
 Orange City, Iowa, USA
 800.842.8688 | +1 712.737.8688

info@CivcoRT.com
 www.CivcoRT.com

