

# CIVCO RT Set-up Sheet

## Combifix™ 3

Patient:

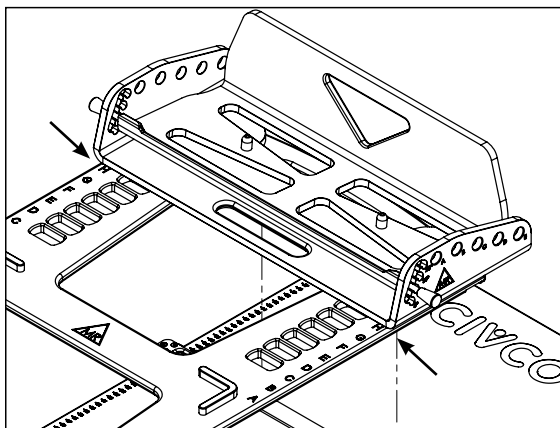
Date:

Notes:

Note: The Feetfix™ Couch Support can be utilized without the Combifix, if using the Feetfix Couch Support alone skip step 2.

**1** Lok-Bars™ are indexed to table at (ex: H1, F2):

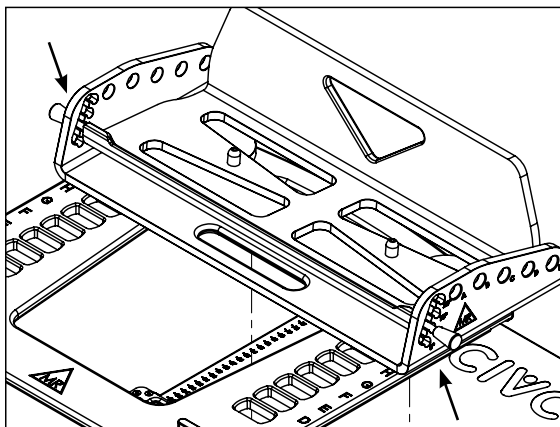
**2** Feetfix Style Couch Support Position



Indexed to Combifix at (select one):

A B C D E F G H

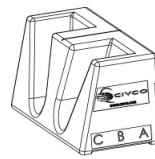
**3** Feetfix Style Couch Support Rotation



(select one):

5° 10° 15° 20°

**4** Feetfix Cushion Style

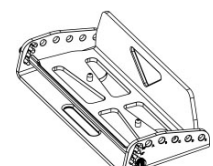
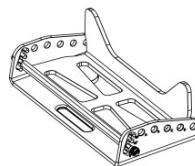


(select one):

Feetfix 2 (red)

Feetfix 3 (champagne)

**5** Feetfix Bracket Style



(select one):

Feetfix 2 Bracket

(used only with red  
Feetfix 2 cushion)

Feetfix 3 Bracket

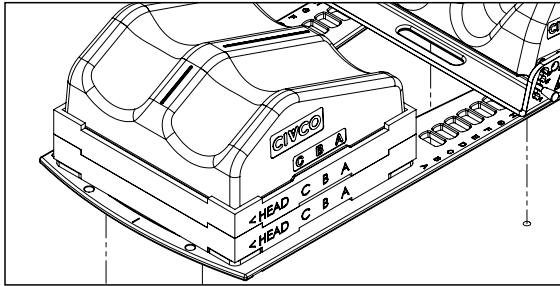
(used only with champagne  
Feetfix 3 cushion)

Cont'd >

# CIVCO RT Set-up Sheet

## Combifix™ 3

### 6 Kneefix™ Style & Number of Elevation Blocks



Kneefix Style (select one):

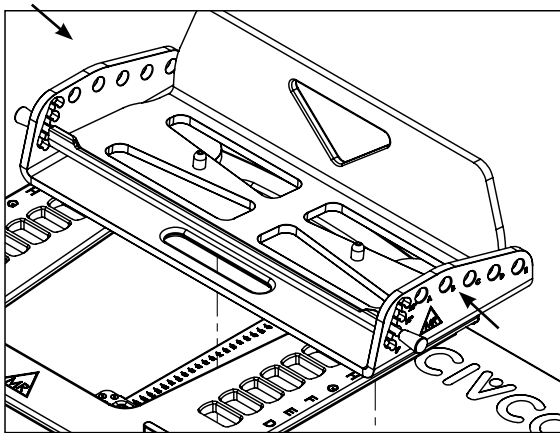
Standard (champagne or red)

Low (black)

Number of Elevation Blocks (select one):

0      1      2

### 7 Shoulder Retractor Settings (if used)



Shoulder Retractor Used (select one):

Standard (red handle)      Short (black handle)

Shoulder Retractor Set at (select one):

A      B      C      D      E

Global Sales Office

Orange City, Iowa, USA

800.842.8688 | +1 712.737.8688

info@CivcoRT.com

www.CivcoRT.com

COPYRIGHT © 2022, CIVCO IS A REGISTERED TRADEMARK OF CIVCO MEDICAL SOLUTIONS. CIVCO RADIOTHERAPY, CIVCO RT, COMBIFIX, FEETFIX, KNEEFIX AND LOK-BAR ARE TRADEMARKS OF MEDTEC LLC. ALL OTHER TRADEMARKS ARE PROPERTY OF THEIR RESPECTIVE OWNERS. ALL PRODUCTS MAY NOT BE LICENSED IN ACCORDANCE WITH CANADIAN LAW. 2016R0142 REV. D

**CIVCO**  
Radiotherapy™