

# Type-S™ Lok-Bar™

for use with Type-S Overlays or Extensions, including TotalRT All in One Platform

CIVCO RT Technical Data Sheet

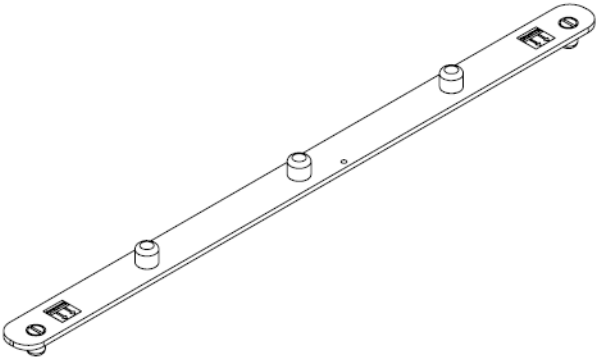
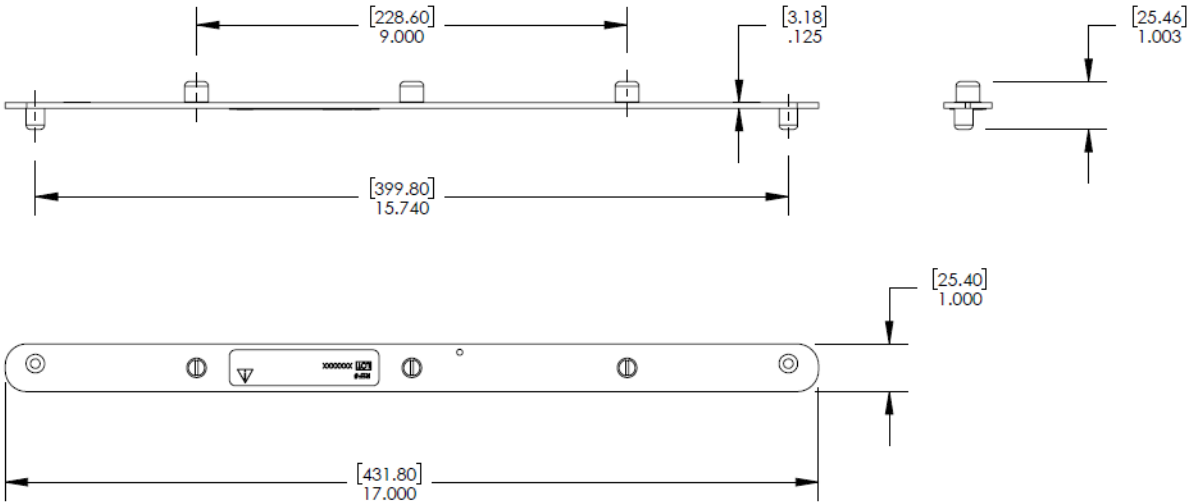


<b>Product Name</b>	Type-S Lok-Bar
<b>Product Number</b>	<b>MTWBL001</b>
<b>General Description</b>	The Type-S Lok-Bar allows Wing Boards™, Monarch™ Overhead Arm Positioner and other positioning and immobilization devices to be indexed in the head & neck area on a Type-S Overlay or Extension, including the TotalRT All in One Platform.
<b>Indications for Use</b>	The device is intended to aid in supporting and positioning adult and pediatric patients undergoing radiation therapy including electron, photon, and proton treatments. The device is also used during image acquisition to support treatment planning.
<b>MRI Compatible</b>	MR Safe
<b>Integration</b>	Place in shoulder holes of Type-S overlay or extension, including TotalRT All in One (TRT100)
<b>FDA Clearance</b>	Yes
<b>CE Marked (EU DOC)</b>	Yes
<b>Other Country Registrations</b>	Available upon request
<b>Country of Manufacture</b>	USA

# Technical Details

<b>Primary Materials</b>	Black Acetal
<b>Weight (approx)</b>	.06 kg / .13 lbs
<b>Dimensions (mm)</b>	431.8 L x 25.40 W x 25.46 H (max)

**Technical Drawing - MTWBL001**



---

# Packaging

<b>Unit Pack</b>	Each
<b>Units/Box</b>	One device, may have several component parts in box
<b>Shelf Life</b>	n/a
<b>Warranty</b>	<a href="#">See CIVCO RT website for Product Warranty Statement</a>
<b>Sterilization</b>	Non-Sterile
<b>Release Date</b>	October 2021

---

## Global Sales Office

Orange City, Iowa, USA  
800.842.8688 | +1 712.737.8688

info@CivcoRT.com  
www.CivcoRT.com

COPYRIGHT © 2022. CIVCO IS A REGISTERED TRADEMARK OF CIVCO MEDICAL SOLUTIONS. CIVCO RADIOTHERAPY, CIVCO RT, LOK-BAR, MONARCH, TYPE-S AND WING BOARD ARE TRADEMARKS OF MEDTEC LLC. ALL OTHER TRADEMARKS ARE PROPERTY OF THEIR RESPECTIVE OWNERS. ALL PRODUCTS MAY NOT BE LICENSED IN ACCORDANCE WITH CANADIAN LAW.  
2021C1594 Rev. C

