

Type-S™ Overlays, including Fixator™ Shoulder Suppression

CIVCO RT Technical Data Sheet

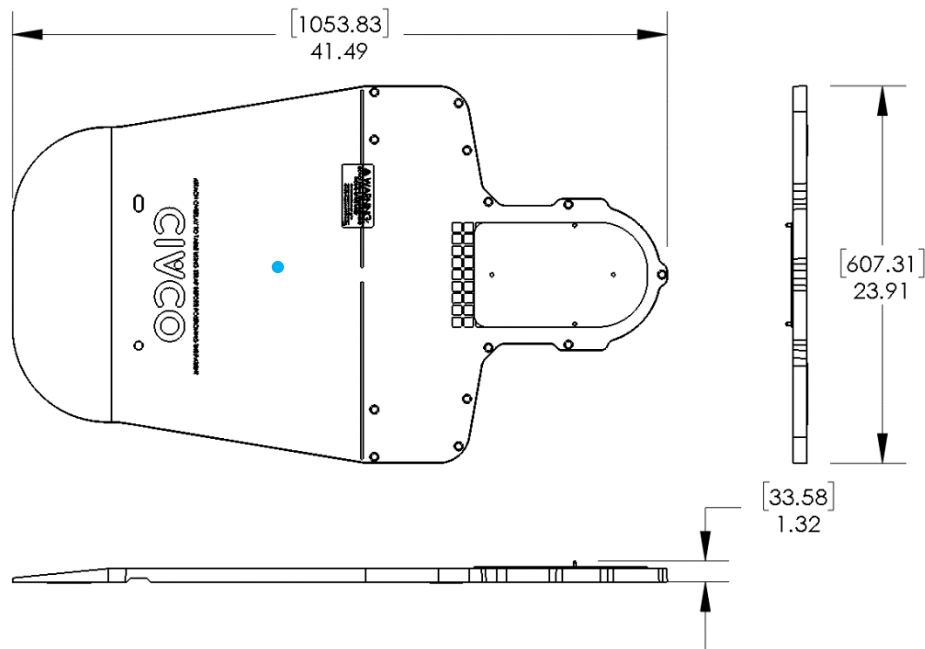


<p>Product Names, General Description & Product Numbers</p>	<p>Type-S Overlay Board The overlay board is indexable with a two-pin Lok-Bar™ and extends off the end of the treatment couch.</p> <ul style="list-style-type: none"> • 20CFHNSUB7 Type-S Overlay Board (no Vac-Lok™ indexing hole for larger unobstructed treatment region) • 20CFHNSUB2 Type-S Overlay Board (with Vac-Lok indexing hole) • 20CFHNSUB1P ABS Reloadable Type-S Frame Only <p>MRI Type-S Overlay Board The MRI overlay is indexable with a three-pin Lok-Bar and made of fiberglass with a foam core and is MR Safe.</p> <ul style="list-style-type: none"> • MTMRHNTYPES MRI Type-S Overlay Board, standard • MTMRHNPN MRI Type-S Overlay Board, narrow <p>Fixator™ Shoulder Suppression System The Fixator extends off the couchtop and includes adjustable padded positioners to gently cup the patient's shoulders, capturing and positioning them out of the treatment field.</p> <ul style="list-style-type: none"> • MTCFHN006 Fixator Shoulder Suppression (includes two cups) • MTCFHN006SUB6 Shoulder Cup, qty 1
<p>Indications for use</p>	<p>20CFHNSUB7, 20CFHNSUB2, MTCFHN006, MTCFHN006SUB6 Device is intended for patient positioning.</p> <p>MTMRHNTYPES, MTMRHNPN, 20CFHNSUB1P The intended use of this device is to immobilize the patient during radiation therapy. Devices are used to aid in the support and positioning of patients during MRI. The device is indicated to aid in supporting, positioning, and/or immobilization of adult and pediatric patients undergoing radiation therapy of the head, brain, neck, and spine including radiosurgery and electron, photon, and proton treatments. The device is also used during image acquisition to support treatment planning.</p>
<p>MR Safe</p>	<p>20CFHNSUB1P, MTMRHNTYPES, MTMRHNPN</p>
<p>Integration</p>	<p>20CFHNSUB7, 20CFHNSUB2, MTCFHN006, MTMRHNTYPES, MTMRHNPN 2-Pin indexable to couchtop.</p> <p>MTMRHNTYPES, MTMRHNPN 3-Pin indexable to couchtop.</p>
<p>FDA Clearance</p>	<p>Yes</p>
<p>CE Marked (EU DOC)</p>	<p>Yes</p>
<p>Other Country Registrations</p>	<p>Available upon request</p>
<p>Country of Manufacture</p>	<p>USA</p>

Technical Details

Part Number/Description	20CFHNSUB7 , Type-S™ Overlay Board (no Vac-Lok™ indexing hole)			
Primary Materials	Carbon Fiber, R51 foam			
Weight (approx)	2.5 kg / 5.4 lbs			
Dimensions (mm)	1054 L x 607 W x 34 H (min.)			
Dosimetric Properties	Location*	Field Size (cm²)	Attenuation 6 MV photons	Attenuation 18 MV photons
	• Center of board	10 x 10	1.52%	1.07%

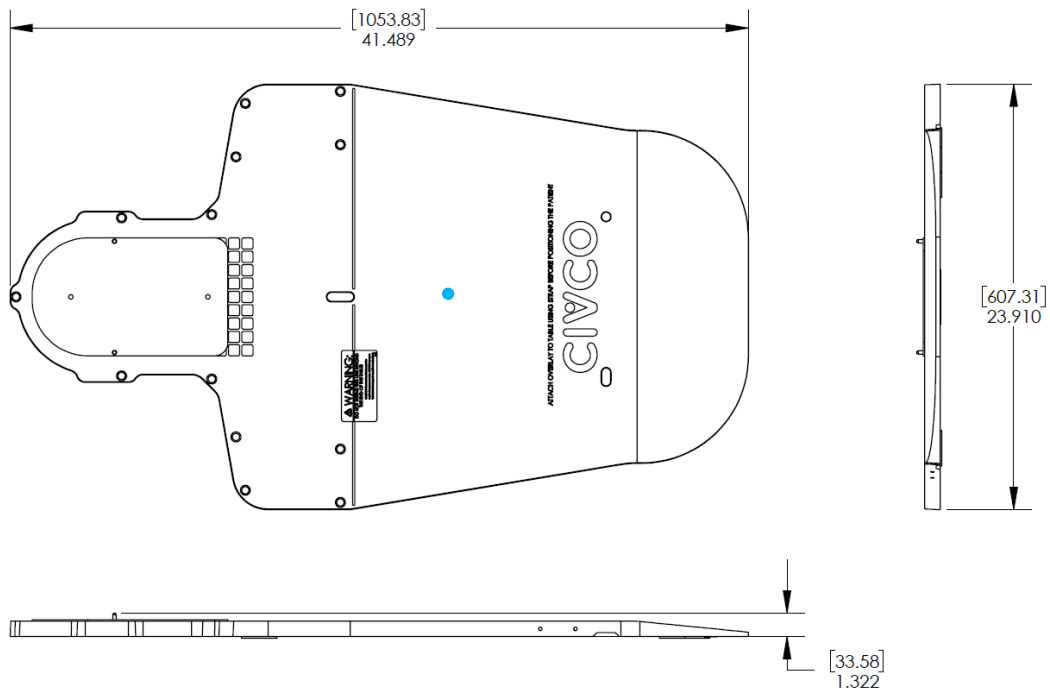
Technical Drawing



Technical Details

Part Number/Description	20CFHNSUB2, Type-S™ Overlay Board (with Vac-Lok™ indexing hole)			
Primary Materials	Carbon Fiber, R51 foam			
Weight (approx)	2.5 kg / 5.4 lbs			
Dimensions (mm)	1054 L x 607 W x 34 H (min.)			
Dosimetric Properties	Location*	Field Size (cm²)	Attenuation 6 MV photons	Attenuation 18 MV photons
	• Center of board	10 x 10	1.52%	1.07%

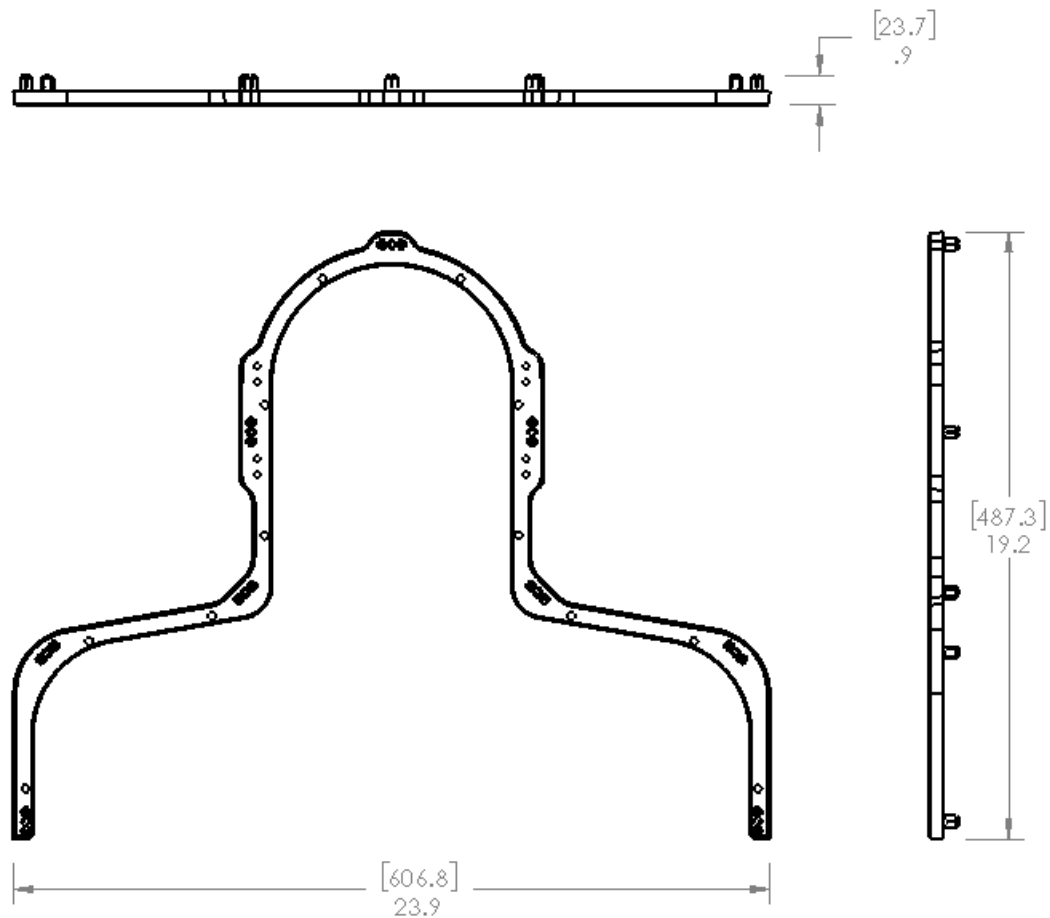
Technical Drawing



Technical Details

Part Number/Description	20CFHNSUB1P , ABS Reloadable Type-S™ Frame Only
Primary Materials	ABS, Black acetal
Weight (approx)	0.2 kg / 0.4 lbs
Dimensions (mm)	487 L x 607 W x 24 H (min.)

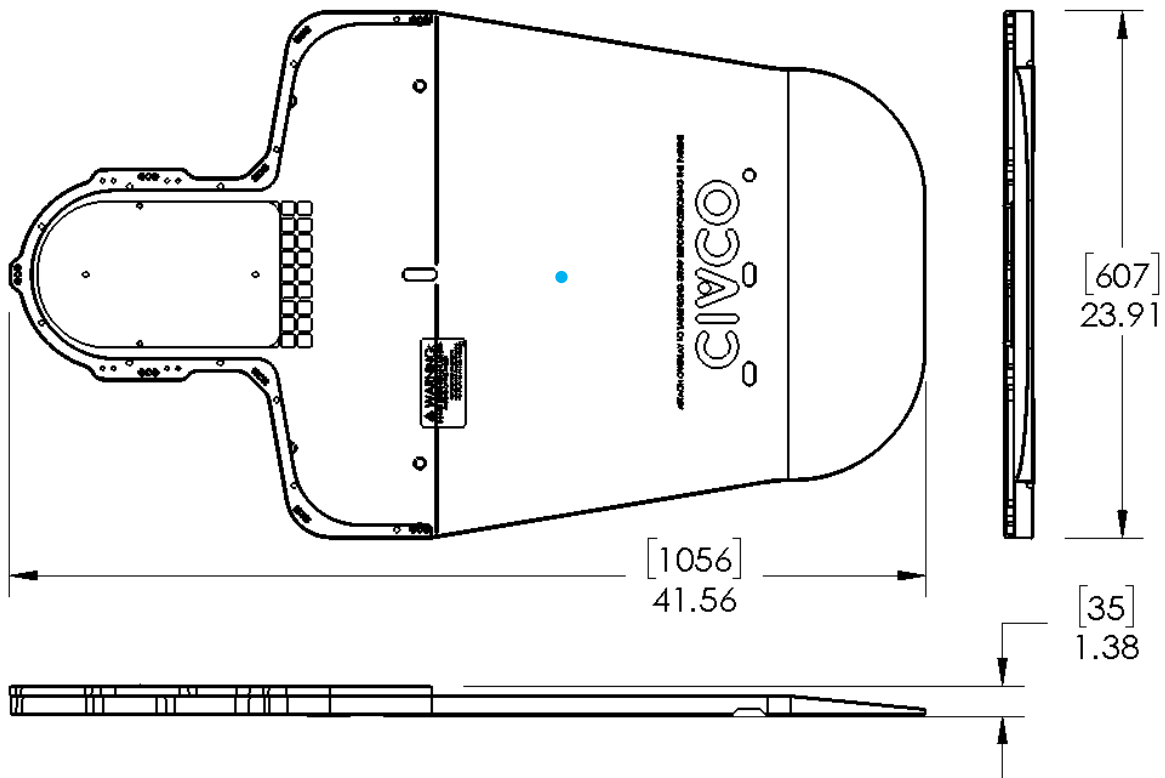
Technical Drawing



Technical Details

Part Number/Description	MTMRHNTYPES , MRI Type-S™ Overlay Board, standard (includes ABS reloadable head, neck and shoulder frame)			
Primary Materials	Fiber glass skin, R51 foam core			
Weight (approx)	3.3 kg / 7.2 lbs			
Dimensions (mm)	1056 L x 607 W x 35 H (min.)			
Dosimetric Properties	Location*	Field Size (cm²)	Attenuation 6 MV photons	Attenuation 18 MV photons
	<ul style="list-style-type: none"> Center of board 	10 x 10	1.91%	1.42%

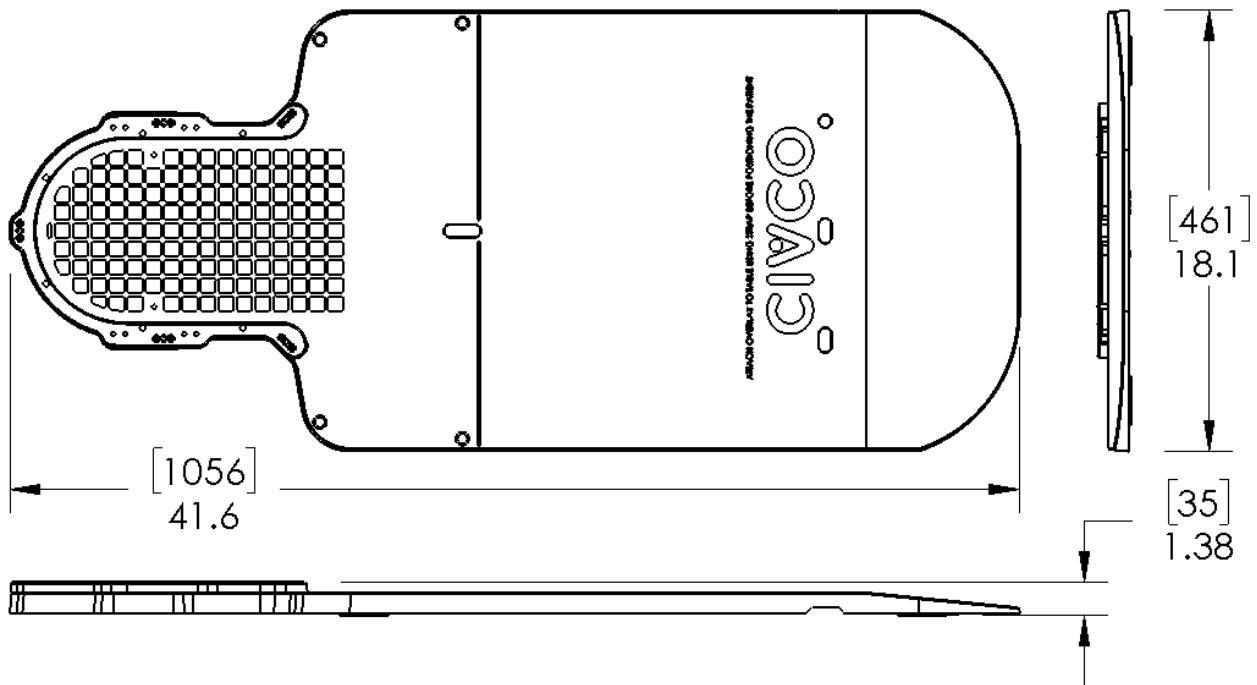
Technical Drawing



Technical Details

Part Number/Description	MTMRHNPN , MRI Type-S™ Overlay Board, narrow (includes ABS reloadable head only frame)
Primary Materials	Fiber glass skin, R51 foam core
Weight (approx)	2.2 kg / 4.9 lbs
Dimensions (mm)	1056 L x 461 W x 35 H (min.)

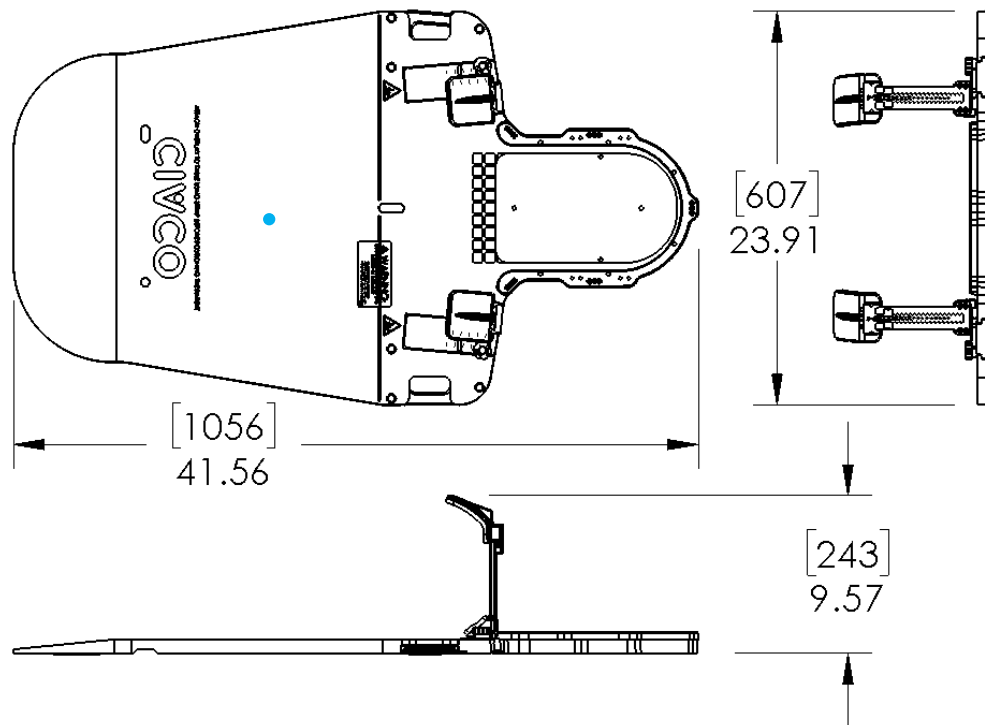
Technical Drawing



Technical Details

Part Number/Description	MTCFHN006, Fixator™ Shoulder Suppression (includes two shoulder cups and ABS reloadable head only frame)			
Primary Materials	Carbon fiber, Rohacell® 511G, Black ABS, Black Polyethylene			
Weight (approx)	2.4 kg / 5.4 lbs			
Dimensions (mm)	1056 L x 607 W x 243 H (min.)			
Dosimetric Properties	Location*	Field Size (cm ²)	Attenuation 6 MV photons	Attenuation 18 MV photons
	• Center of board	10 x 10	1.52%	1.07%

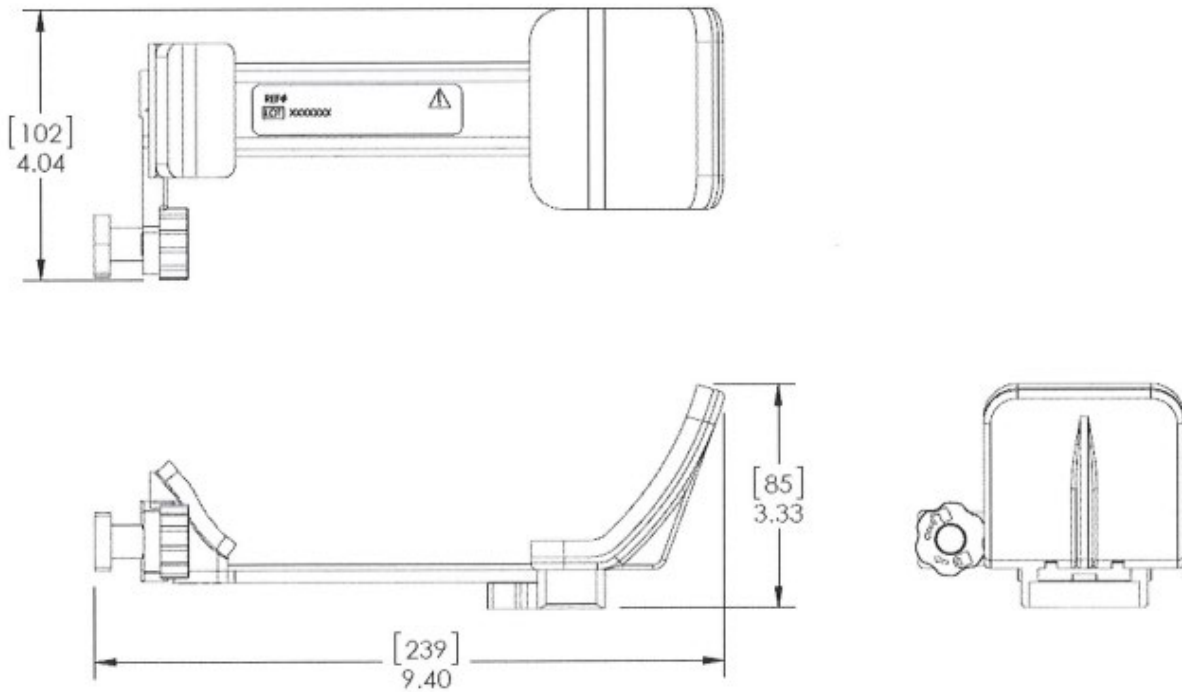
Technical Drawing



Technical Details

Part Number/Description	MTCFHN006SUB6, Shoulder Cup, qty 1
Primary Materials	Black Acetal, Black Garolite G10
Weight (approx)	0.2 kg / 0.45 lbs
Dimensions (mm)	85 L x 102 W x 239 H (min.)

Technical Drawing



Packaging

Unit Pack	Each
Units / Box	Overlays: One device – may have several component parts in box
Shelf Life	n/a
Warranty	See CIVCO RT website for Product Warranty Statement
Sterilization	Non-Sterile
Launch Date	2013