

ProtonSeries™ Couchtops & Overlays

CIVCO RT Technical Data Sheet



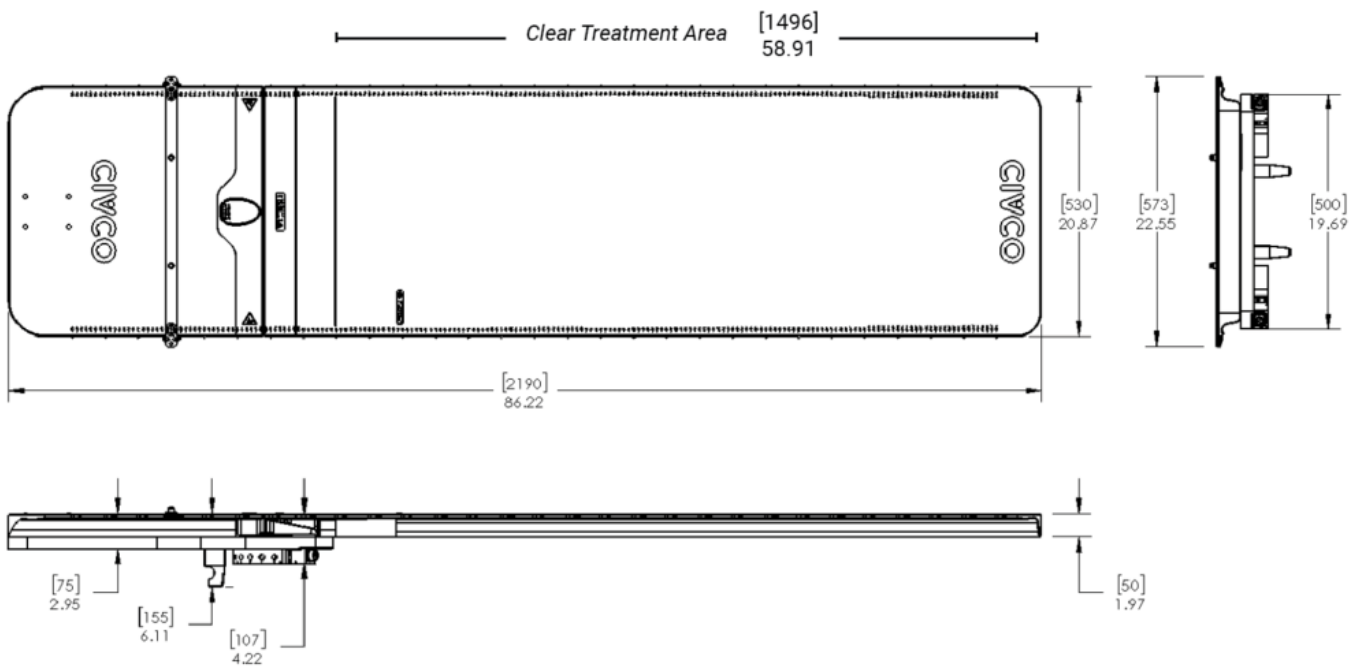
OEM Compatible Universal Couchtop	IBA F-Series: MTIL6840 (includes MTIL6673) IBA L-Series: MTIL6841 (includes MTIL6673) Mevion S250 Series: MTIL7040 (includes MTIL6660)
General Description	The Universal Couchtop Long Extension is a strong and lightweight couchtop with low attenuation and surface dose. It utilizes 7 cm indexing with extension options to treat many disease sites, provides a seamless transition from CT simulation to treatment.
Extensions	MTIL6676 Rectangle Standard Profile (CT Compatible) MTIL6673 Rectangle Square Profile MTIL6660 Rectangle Standard Profile MTIL6684 Rectangle Square Profile MTIL6675K, MTIL6679K, MTIL6683K ProForm™ Head & Neck (includes patient handles and cushion guide) Pediatric ProForm Head & Neck: see Pediatric ProForm Technical Data Sheet
Extension Handles	MTIL662501 Universal Couchtop Right Handle MTIL662502 Universal Couchtop Left Handle
Overlays	PRO300K ProForm CT and Photon Treatment Overlay (includes cushion guide and patient handles) PRO320K ProForm MR Overlay (includes cushion guide and patient handles)
Overlay Handles	PRO360R Right Handle PRO360L Left Handle
Thermoplastic	PRO330 Standard White, Head Only PRO330IM1832 IMRT Reinforced Style 18, Head Only PRO331IM1832 IMRT Reinforced Style 18, Head Neck & Shoulders PRO331IM1832N IMRT Reinforced Style 18, Head Neck & Shoulders Narrow PRO330IM1832SG ClearVision™ 2, Head Only PRO331IM1832S ClearVision 2, Head Neck & Shoulders PRO3311832SGN ClearVision 2, Head Neck & Shoulders Narrow PRO330SPN32 Solid with Perforated Nose PRO330IM1832CL FreedomView, Head Only PRO331IM1832CL FreedomView, Head Neck & Shoulders PRO331IM1832CLN FreedomView, Head Neck & Shoulders Narrow PRO330IM1832PT IMRT Reinforced Style 18, Head Only Hair Openings
Registration Film	PRO340
Cushion Guide	PRO350

<p>Indications for use</p>	<p>MTIL6675K, MTIL6679K, MTIL6683K, PRO300K, PRO320K, PRO330, PRO330IM1832, PRO331IM1832, PRO331IM1832N, PRO330IM1832SG, PRO340, PRO3311832SGN, PRO331IM1832S, PRO330SPN32, PRO330IM1832CL, PRO331IM1832CL, PRO331IM1832CLN, PRO330IM1832PT: The device is indicated to aid in supporting, positioning, and/or immobilization of adult and pediatric patients undergoing radiation therapy of the head, brain, neck, and spine including radiosurgery and electron, photon, and proton treatments. The device is also used during image acquisition to support treatment planning.</p> <p>MTIL6673, MTIL6676, MTIL6660, MTIL6684, MTIL6840, MTIL6841, MTIL7040, MTIL662501, MTIL662502, PRO360R, PRO360L: The device is indicated to aid in supporting and positioning adult and pediatric patients undergoing radiation therapy including electron, photon, and proton treatments. The device is also used during image acquisition to support treatment planning.</p>
----------------------------	---

Technical Details

Product Name	Universal Couchtop™ for IBA, F-Series
Product Number	MTIL6840 (Base + MTIL6673)
Primary Materials	Carbon Fiber Composite, Aluminum, Acetal
Weight (approx)	39.0 kg / 86 lbs
Max Safe Working Load	210 kg / 463 lbs
Dimensions (mm)	2190 L x 530 W x 50 H (min.)

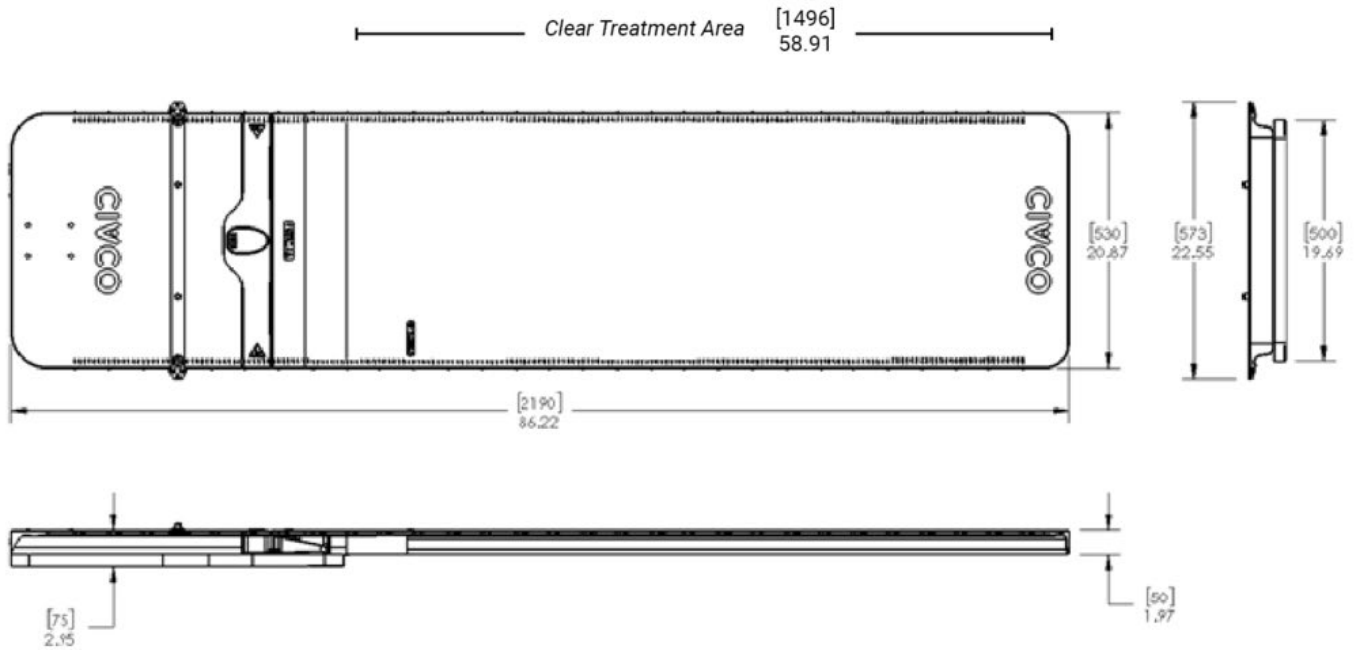
Technical Drawing



Technical Details

Product Name	Universal Couchtop™ for IBA, L-Series
Product Number	MTIL6841 (Base + MTIL6673)
Primary Materials	Carbon Fiber Composite, Aluminum, Acetal
Weight (approx)	34.7 kg / 76.5 lbs
Max Safe Working Load	210 kg / 463 lbs
Dimensions (mm)	2190 L x 530 W x 50 H

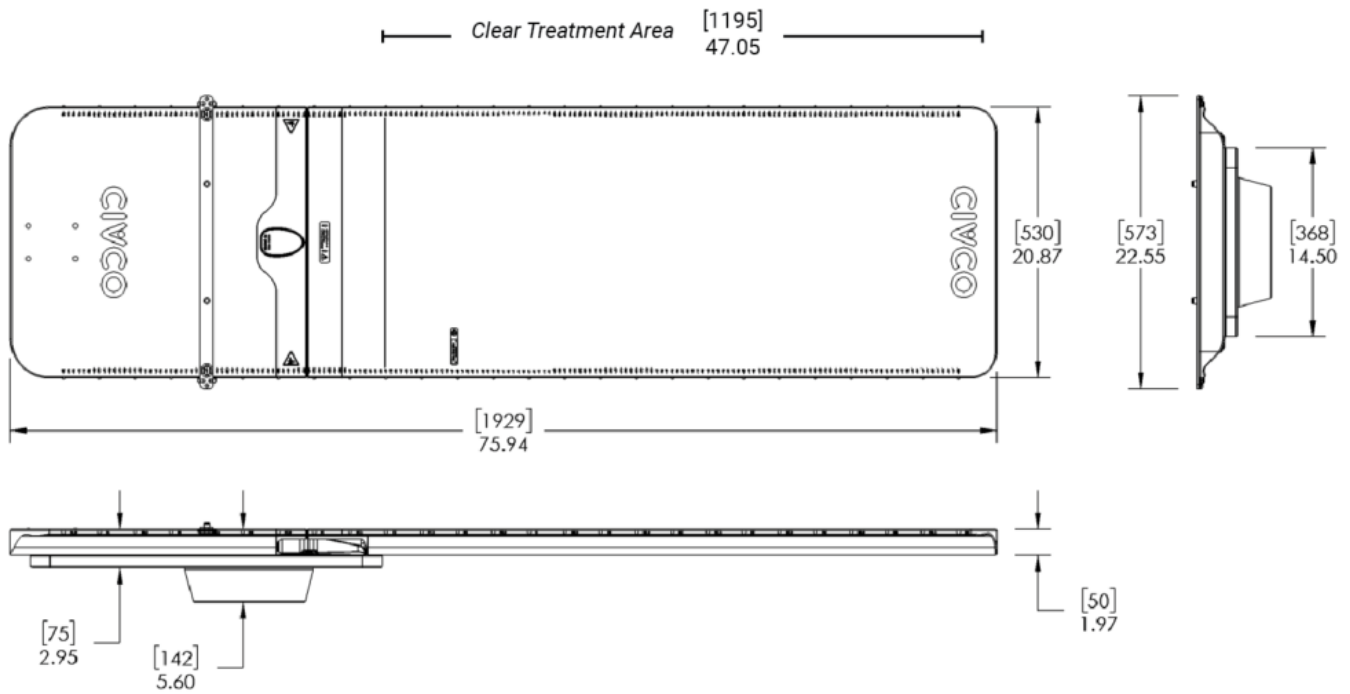
Technical Drawing



Technical Details

Product Name	Universal Couchtop™ for Mevion, S250 System
Product Number	MTIL7040 (Base + MTIL6660)
Primary Materials	Carbon Fiber Composite, Aluminum, Acetal
Weight (approx)	34.02 kg / 75 lbs
Max Safe Working Load	181.5 kg / 400 lbs
Dimensions (mm)	1929 L x 530 W x 50 H

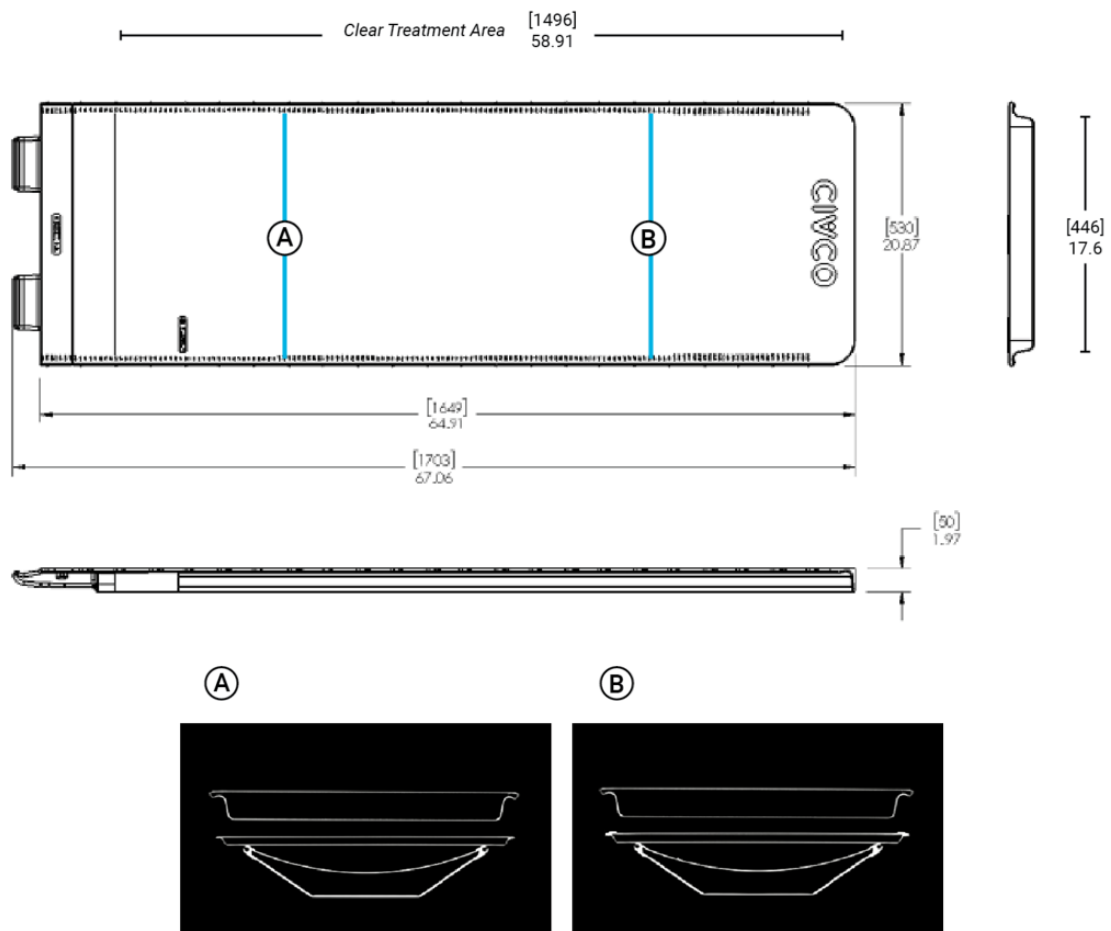
Technical Drawing



Technical Details

Product Name	Rectangle Extension, 64.9" (164.8 cm), Square profile
Product Number	MTIL6673
Primary Materials	Carbon Fiber Composite, Aluminum
Weight (approx)	10.4 kg / 23 lbs
Working Load	159 kg / 350 lbs
Dimensions (mm)	1703 L x 530 W x 50 H
	For compatibility with CT cradles, please contact your CIVCO RT representative

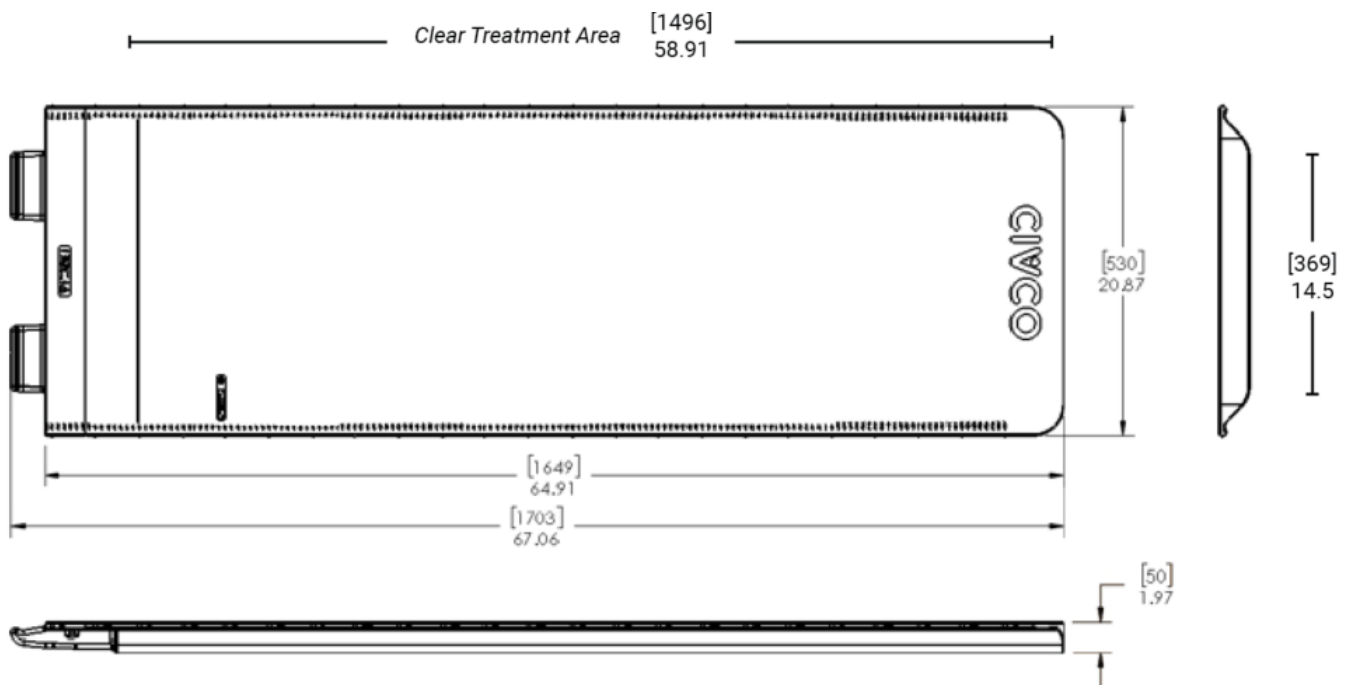
Technical Drawing



Technical Details

Product Name	Rectangle Extension, 64.9" (164.8 cm), Standard profile
Product Number	MTIL6676
Primary Materials	Carbon Fiber Composite, Aluminum
Weight (approx)	10.4 kg / 23 lbs
Working Load	159 kg / 350 lbs
Dimensions (mm)	1703 L x 530 W x 50 H

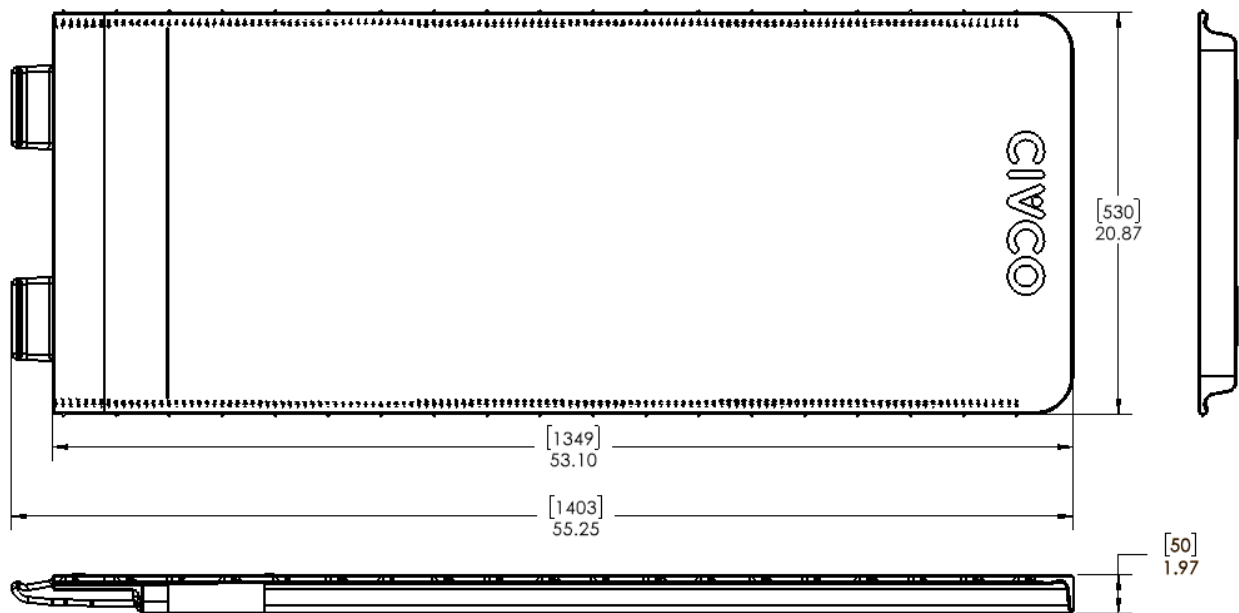
Technical Drawing



Technical Details

Product Name	Rectangle Extension, 53.1" (134.9 cm), Square profile
Product Number	MTIL6684
Primary Materials	Carbon Fiber Composite, Aluminum
Weight (approx)	7.7 kg / 17 lbs
Working Load	178 kg / 392 lbs
Dimensions (mm)	1403 L x 530 W x 50 H

Technical Drawing



MTIL6673 and MTIL6684
Square Profile



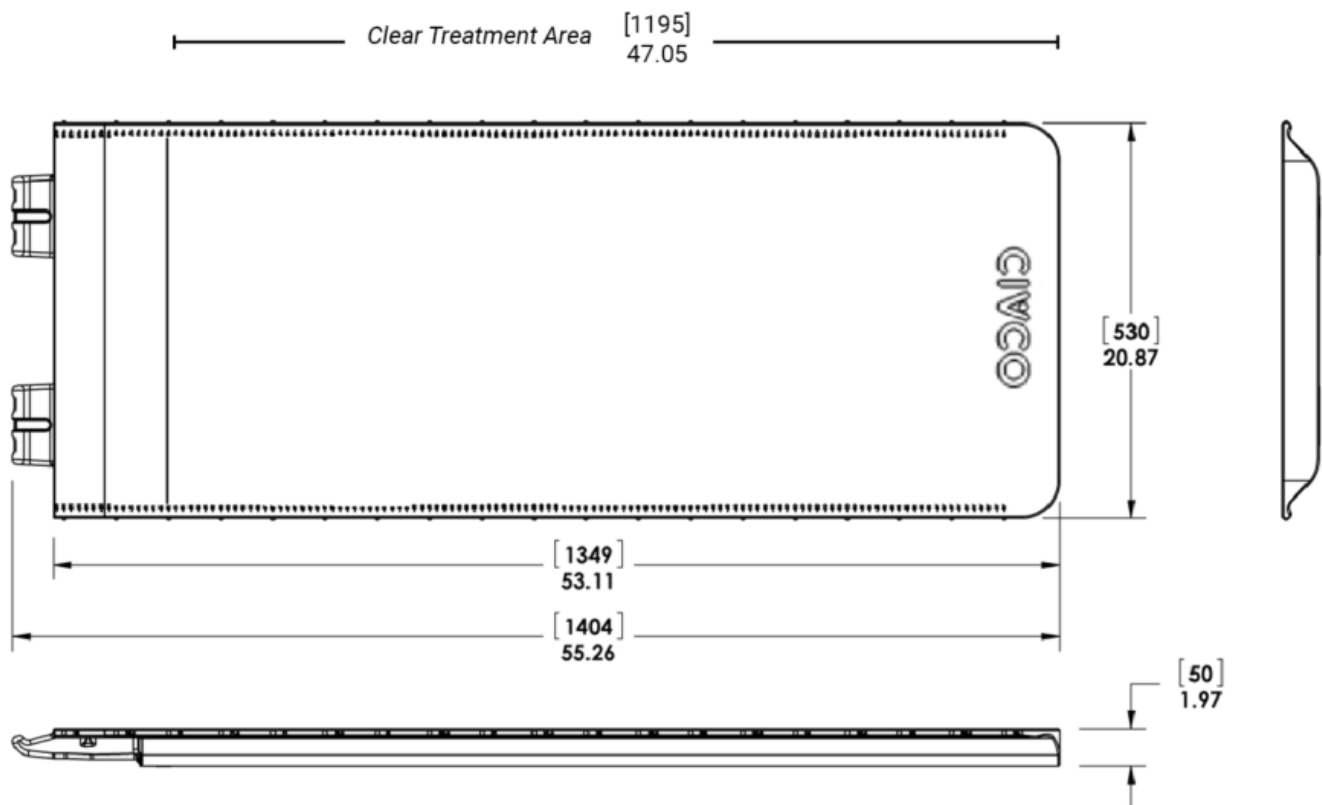
MTIL6676 and MTIL6660
Standard Profile



Technical Details

Product Name	Rectangle Extension, 53.11" (134.9 cm), Standard profile
Product Number	MTIL6660
Primary Materials	Carbon Fiber Composite, Aluminum
Weight (approx)	7.93 kg / 17 lbs
Working Load	178 kg / 392 lbs
Dimensions (mm)	1404 L x 530 W x 50 H

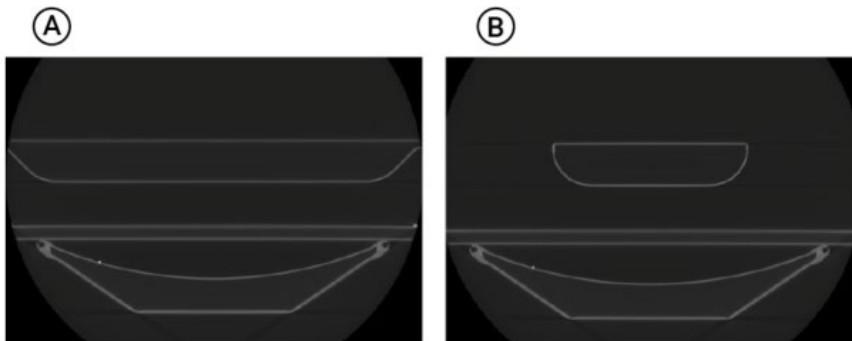
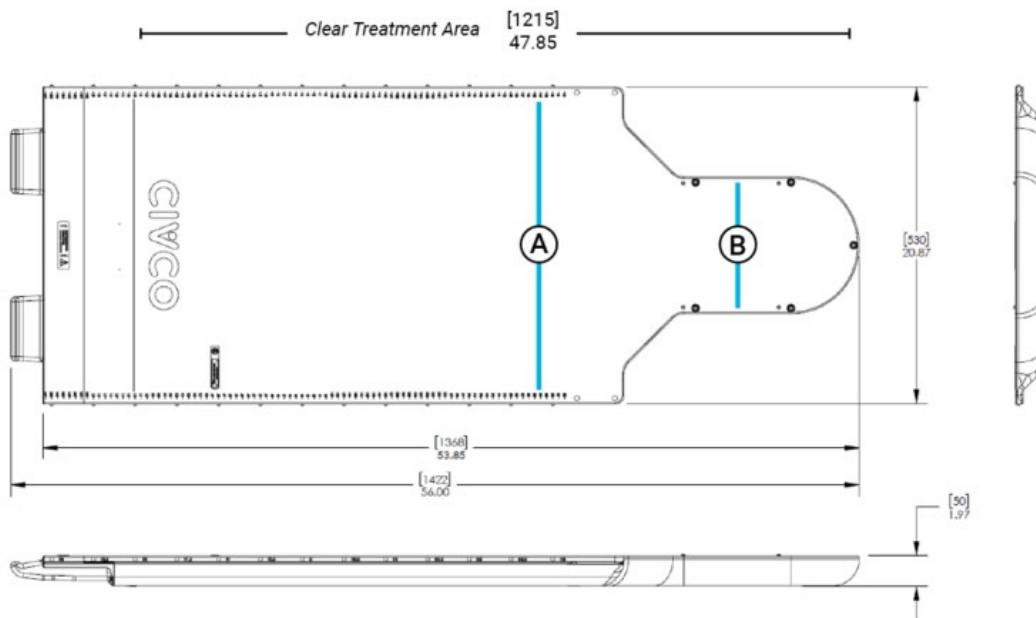
Technical Drawing



Technical Details

Product Name	ProForm™ Head & Neck Extension (includes cushion guide and patient handles)
Product Number	MTIL6675K
Primary Materials	Carbon Fiber Composite, Aluminum
Weight (approx)	7.3 kg / 16.2 lbs
Working Load	178 kg / 392 lbs
Dimensions (mm)	1422 L x 530 W x 50 H

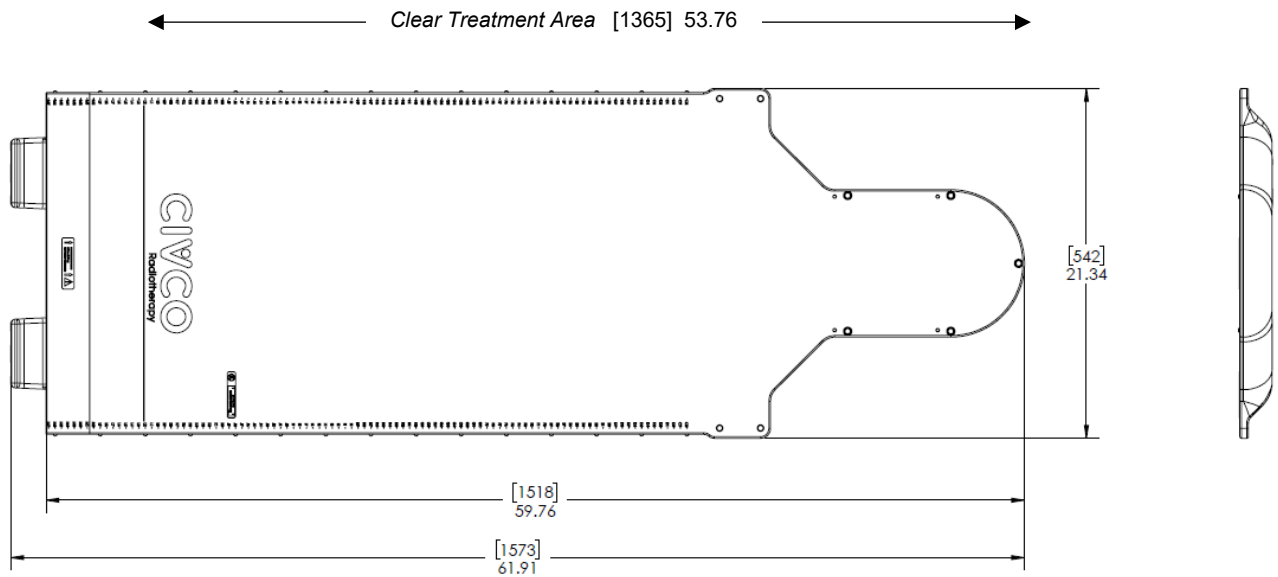
Technical Drawing



Technical Details

Product Name	ProForm™ Head & Neck Extension (includes cushion guide and patient handles)
Product Number	MTIL6679K
Primary Materials	Carbon Fiber Composite, Aluminum
Weight (approx)	8.2 kg / 18.1 lbs
Working Load	159 kg / 350 lbs
Dimensions (mm)	1573 L x 542 W x 50 H

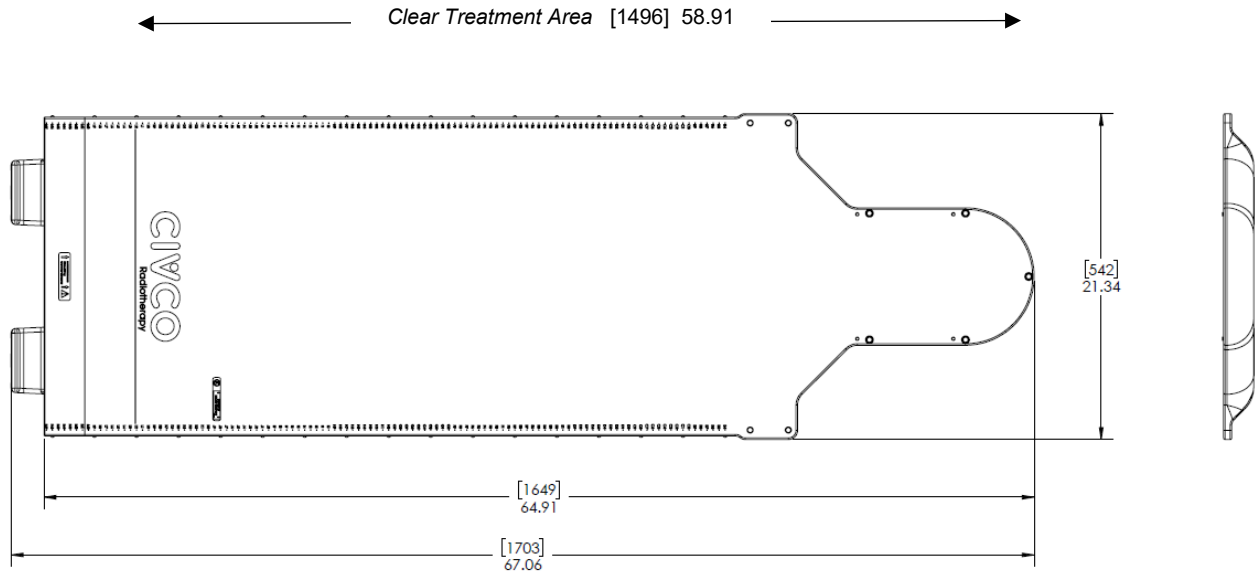
Technical Drawing



Technical Details

Product Name	ProForm™ Head & Neck Extension (includes cushion guide and patient handles)
Product Number	MTIL6683K
Primary Materials	Carbon Fiber Composite, Aluminum
Weight (approx)	8.8 kg / 19.3 lbs
Working Load	159 kg / 350 lbs
Dimensions (mm)	1703 L x 542 W x 50 H

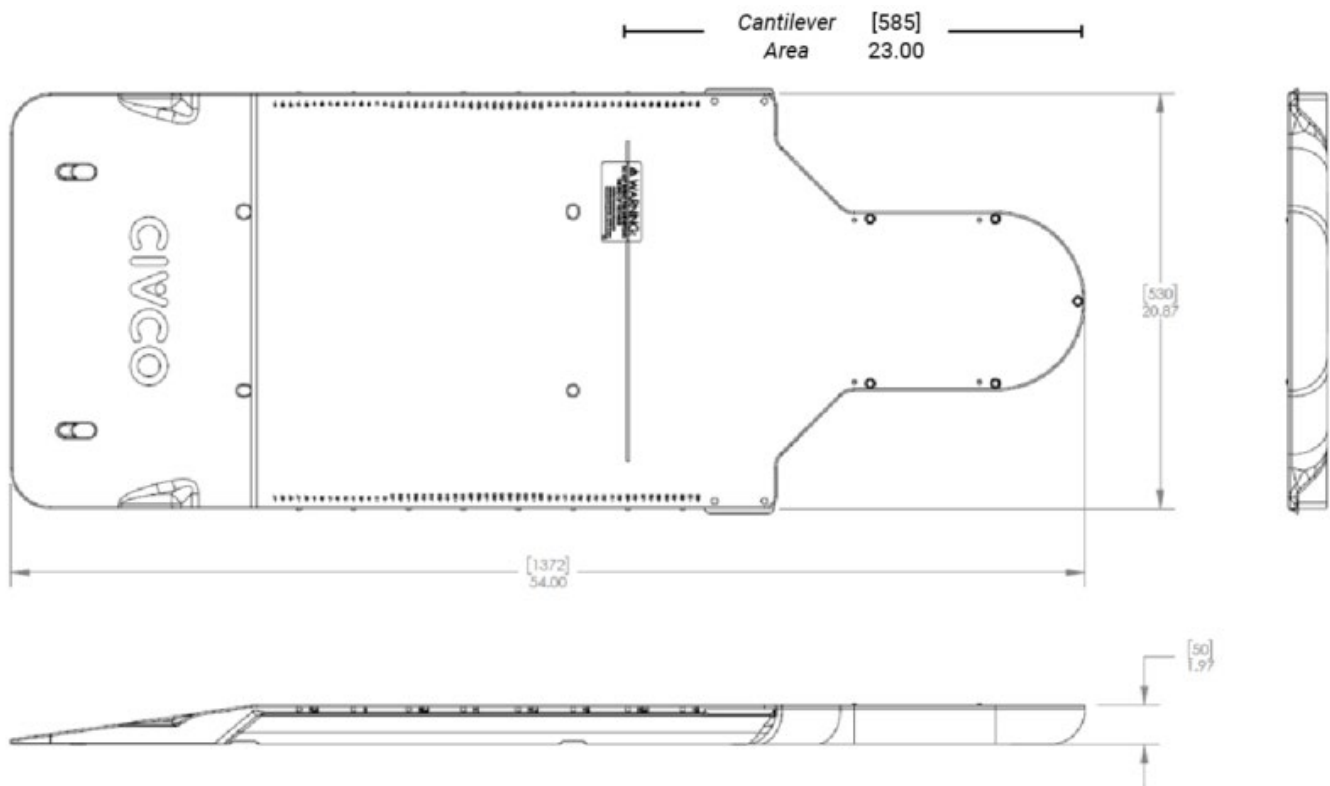
Technical Drawing



Technical Details

Product Name	ProForm™ CT & Photon Treatment Overlay (includes table strap, cushion guide and overlay handles)
Product Number	PRO300K
Primary Materials	Carbon Fiber Composite
Weight (approx)	5.08 kg / 11.2 lbs
Working Load	78 kg / 172 lbs
Dimensions (mm)	1372 L x 530 W x 50 H

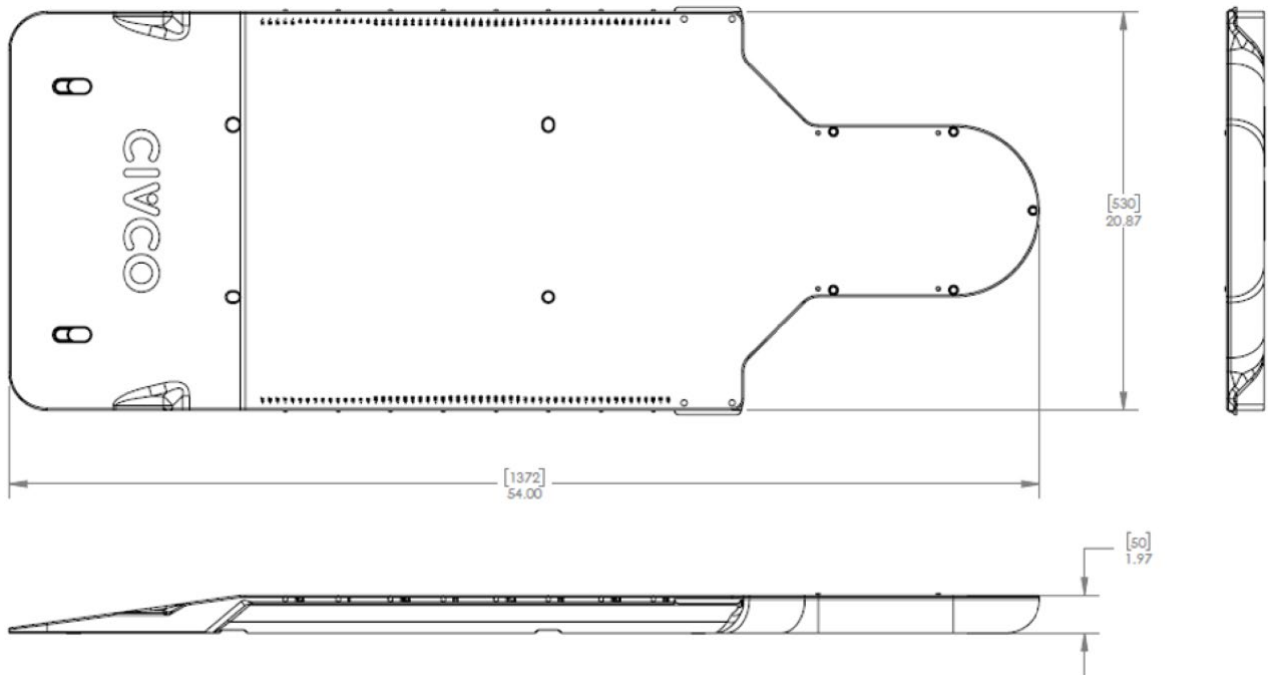
Technical Drawing



Technical Details

Product Name	ProForm™ MR Overlay (includes cushion guide and overlay handles)
Product Number	PRO320K
Primary Materials	Glass Fiber Composite
Weight (approx)	7.35 kg / 16.2 lbs
Dimensions (mm)	1372 L x 530 W x 50 H

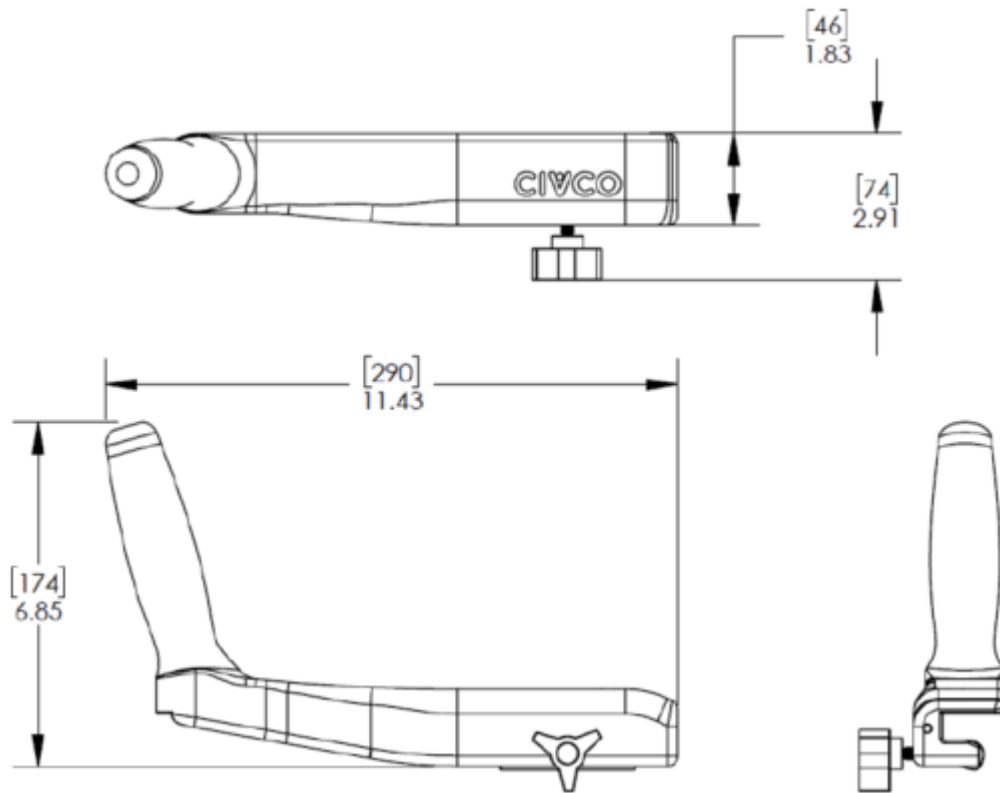
Technical Drawing



Technical Details

Product Name	ProForm™ Overlay Handle
Product Number	PRO360L (Left), PRO360R (Right) Left and Right Handles included in PRO300K and PRO320K
Primary Materials	Nylon Glass
Weight (approx)	0.8 kg / 1.8 lbs
Dimensions (mm)	290 L x 174 W x 74 H

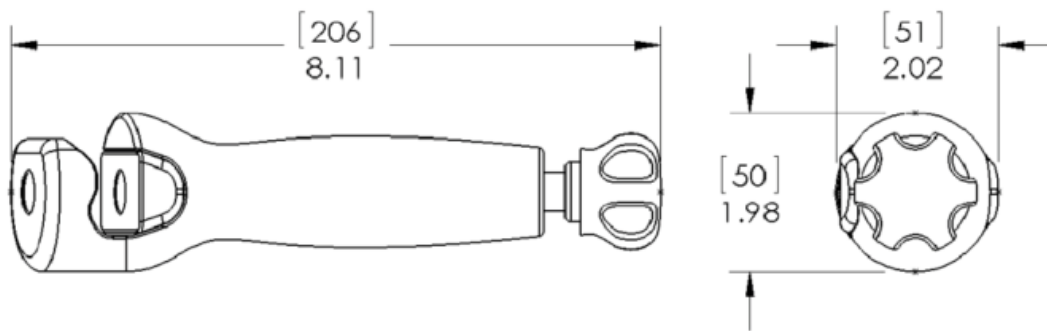
Technical Drawing (left handle shown)



Technical Details

Product Name	Universal Couchtop™ Patient Handles
Product Number	MTIL662502 (Left), MTIL662501 (Right) Left and Right Handles included in MTIL6675K
Primary Materials	Black Acetal
Weight (approx)	0.27 kg / 0.6 lbs
Dimensions (mm)	206 L x 51 W x 50 H

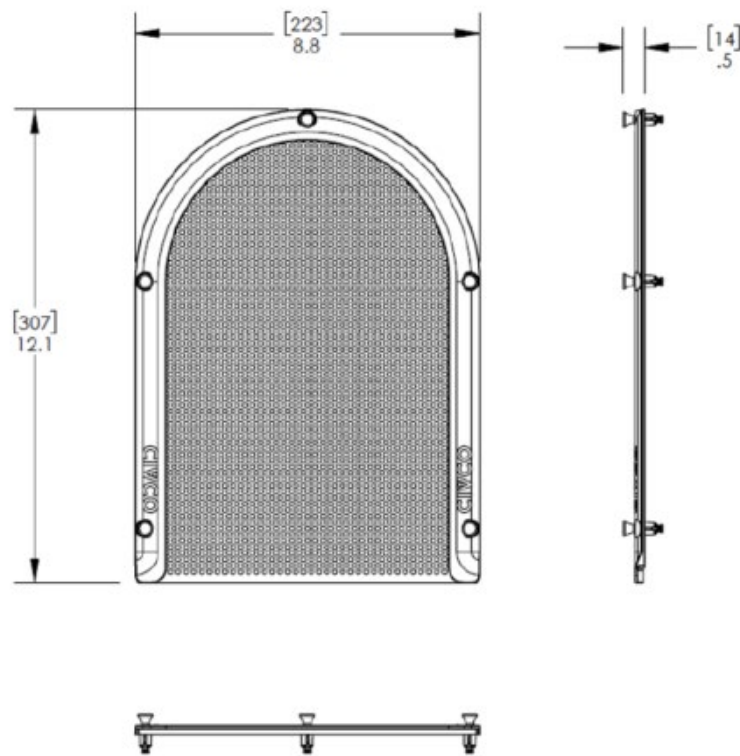
Technical Drawing (left handle shown)



Technical Details

Product Name	ProForm™ Standard Perforated, Head Only Thermoplastic
Product Number	PRO330
Primary Materials	Polycaprolactone, Black PC
Weight (approx)	0.2 kg / 0.4 lbs
Dimensions (mm)	307 L x 223 W x 14 H

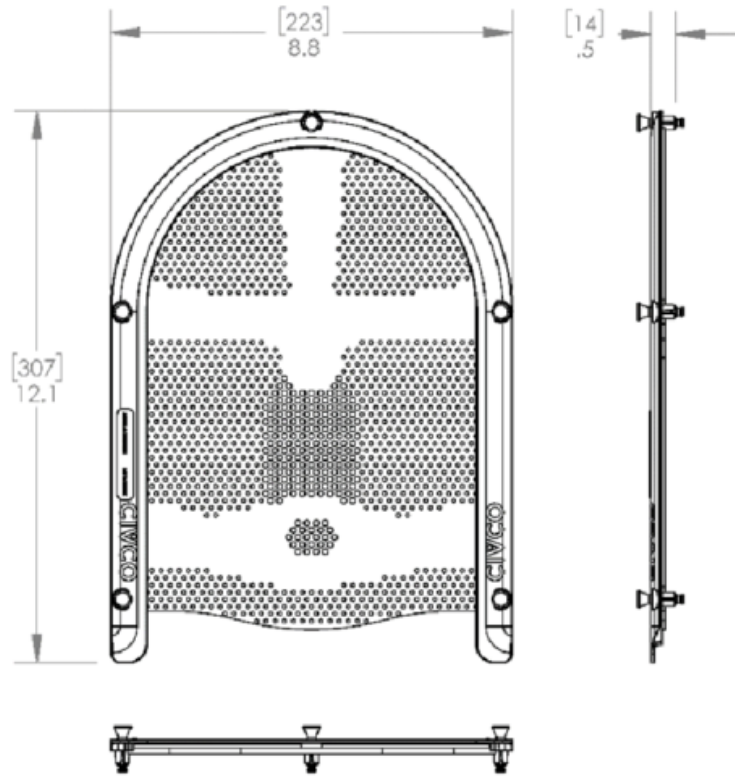
Technical Drawing



Technical Details

Product Name	ProForm™ IMRT Reinforced Style 18, Head Only Thermoplastic
Product Number	PRO330IM1832
Primary Materials	Polycaprolactone, Black PC
Weight (approx)	0.2 kg / 0.4 lbs
Dimensions (mm)	307 L x 223 W x 14 H

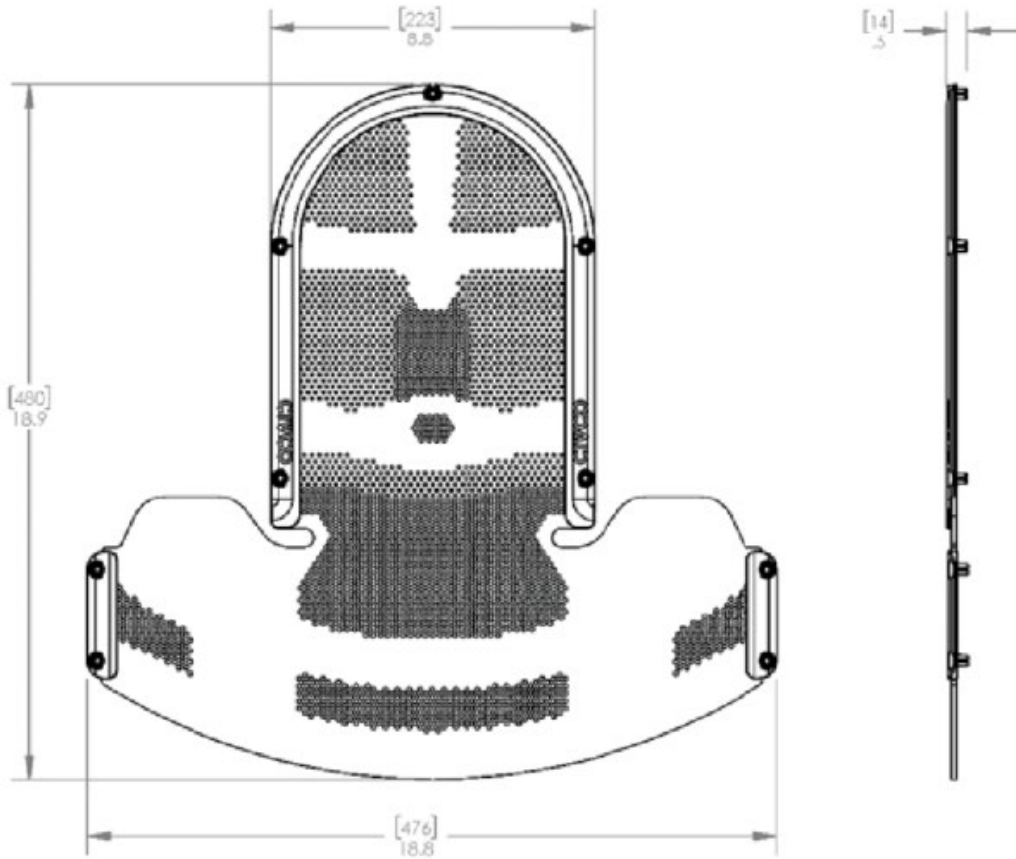
Technical Drawing



Technical Details

Product Name	ProFrom™ IMRT Reinforced Style 18, Head Neck & Shoulders Thermoplastic
Product Number	PRO331IM1832
Primary Materials	Polycaprolactone, Black PC
Weight (approx)	0.50 kg / 1.1 lbs
Dimensions (mm)	480 L x 476 W x 14 H

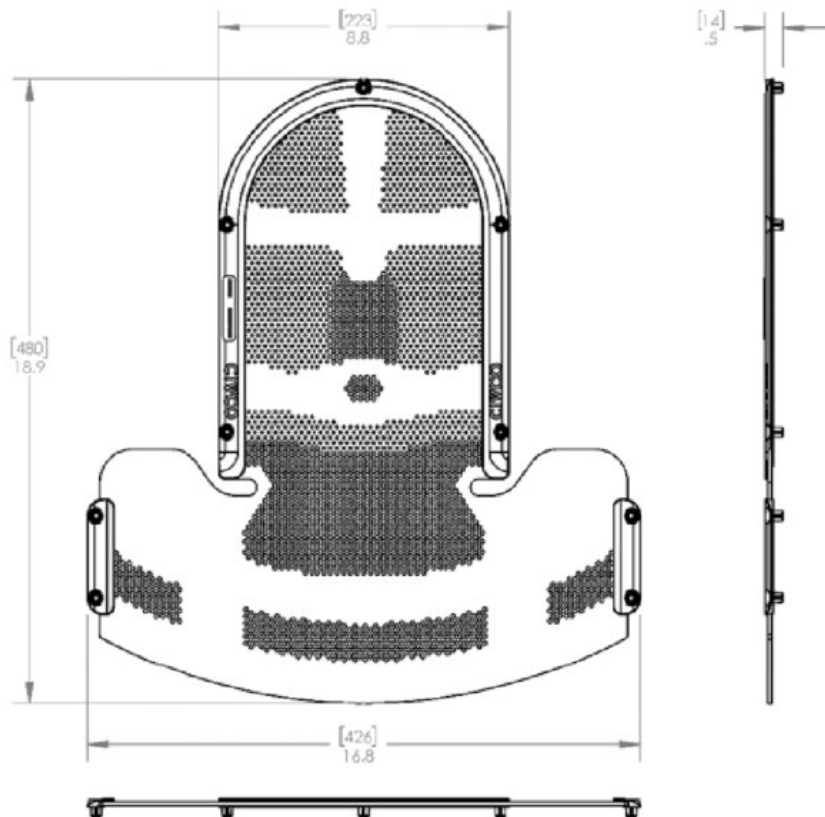
Technical Drawing



Technical Details

Product Name	ProForm™ IMRT Reinforced Style 18, Head Neck & Shoulders Thermoplastic, Narrow
Product Number	PRO331IM1832N
Primary Materials	Polycaprolactone, Black PC
Weight (approx)	0.50 kg / 1.1 lbs
Dimensions (mm)	480 L x 426 W x 14 H

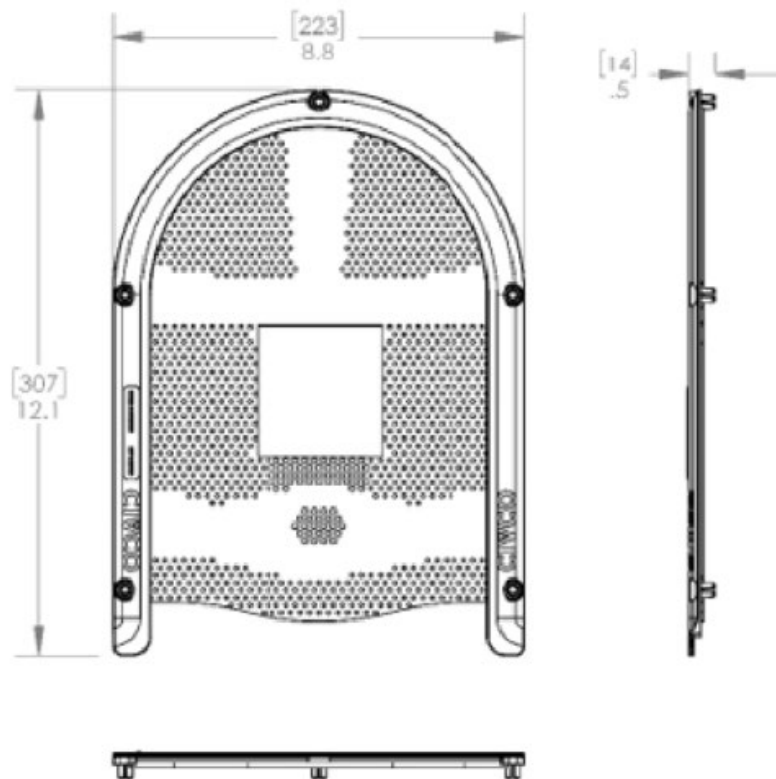
Technical Drawing



Technical Details

Product Name	ProForm™ ClearVision™ 2, Head Only Thermoplastic
Product Number	PRO330IM1832SG
Primary Materials	Polycaprolactone, Black PC
Weight (approx)	0.22 kg / 0.48 lbs
Dimensions (mm)	307 L x 223 W x 14 H

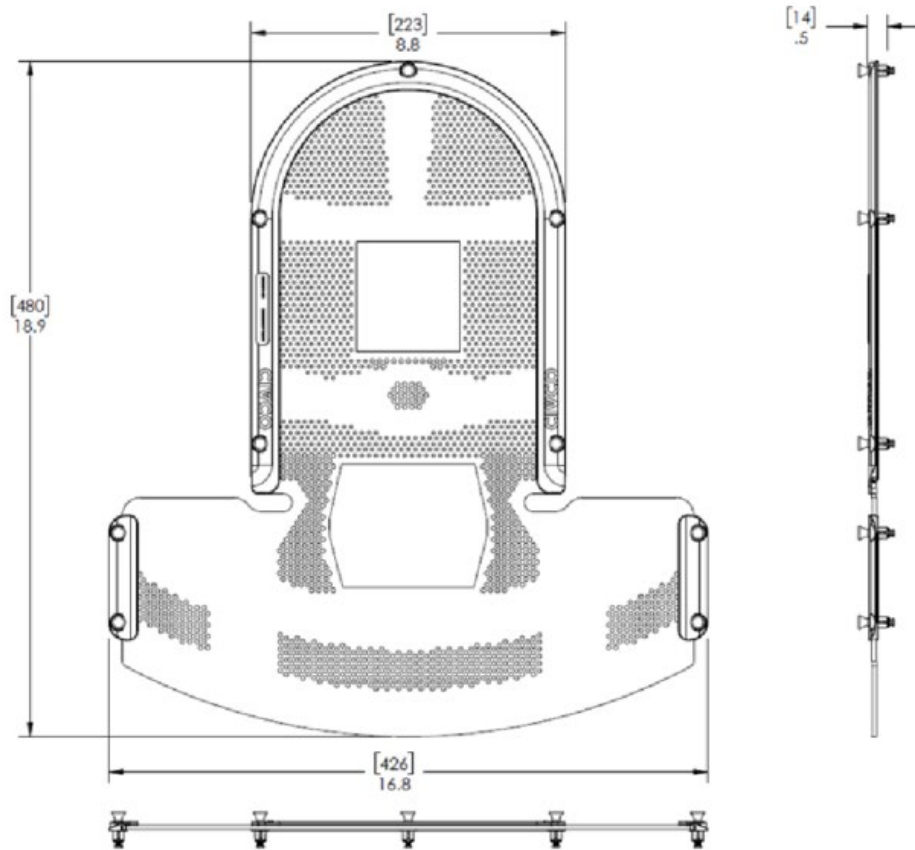
Technical Drawing



Technical Details

Product Name	ProForm™ ClearVision™ 2, Head Neck & Shoulders Thermoplastic, Narrow
Product Number	PRO3311832SGN
Primary Materials	Polycaprolactone, Black PC
Weight (approx)	0.43 kg / 0.94 lbs
Dimensions (mm)	480 L x 426 W x 14 H

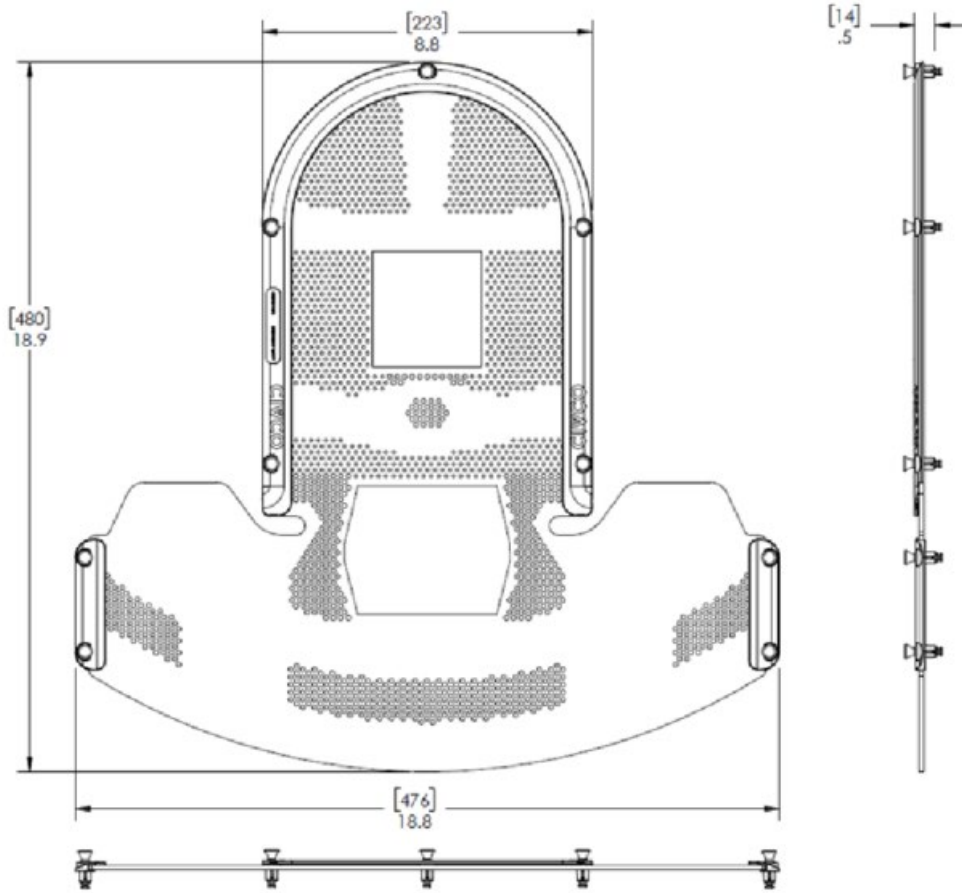
Technical Drawing



Technical Details

Product Name	ProForm™ ClearVision™ 2, Head Neck & Shoulders Thermoplastic
Product Number	PRO3311M1832S
Primary Materials	Polycaprolactone, Black PC
Weight (approx)	0.46 kg / 1.02 lbs
Dimensions (mm)	480 L x 223 W x 14 H

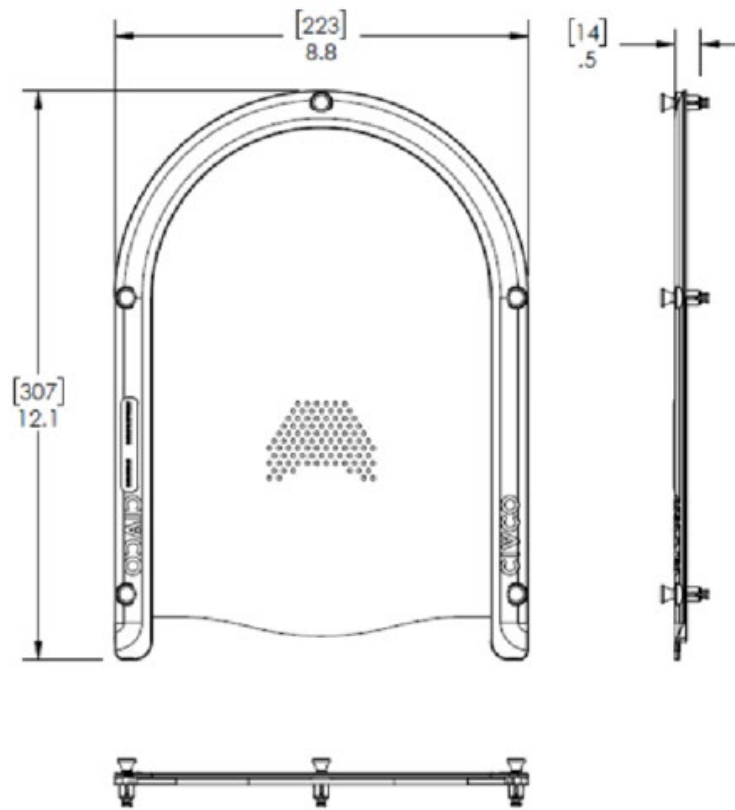
Technical Drawing



Technical Details

Product Name	ProForm™ Head Only Thermoplastic, Solid w/ Perforated Nose
Product Number	PRO330SPN32
Primary Materials	Polycaprolactone, Black PC
Weight (approx)	0.24 kg / 0.53 lbs
Dimensions (mm)	307 L x 223 W x 14 H

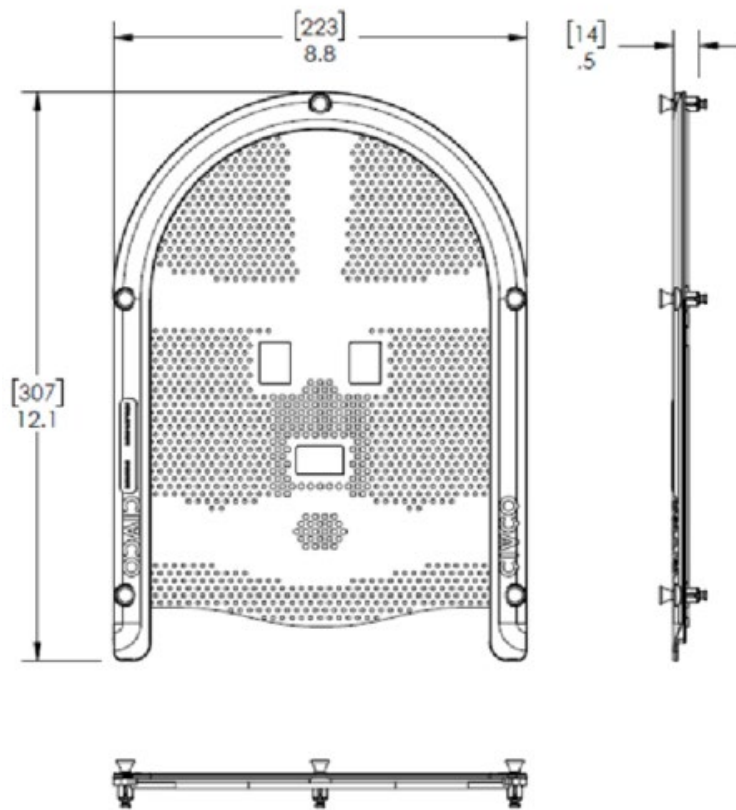
Technical Drawing



Technical Details

Product Name	ProForm™ FreedomView™ IMRT Style 18, Head Only Thermoplastic
Product Number	PRO330IM1832CL
Primary Materials	Polycaprolactone, Black PC
Weight (approx)	0.22 kg / 0.48 lbs
Dimensions (mm)	307 L x 223 W x 14 H

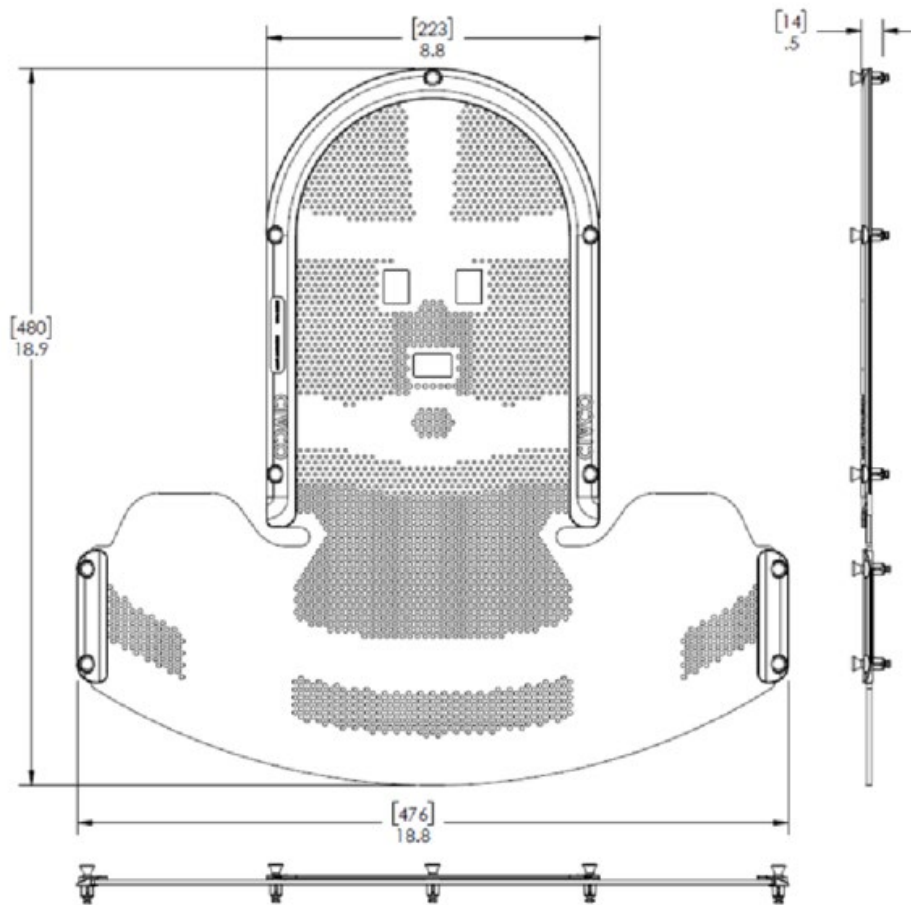
Technical Drawing



Technical Details

Product Name	ProForm™ FreedomView™ IMRT Style 18, Head Neck & Shoulders Thermoplastic
Product Number	PRO331IM1832CL
Primary Materials	Polycaprolactone, Black PC
Weight (approx)	0.49 kg / 1.08 lbs
Dimensions (mm)	480 L x 223 W x 14 H

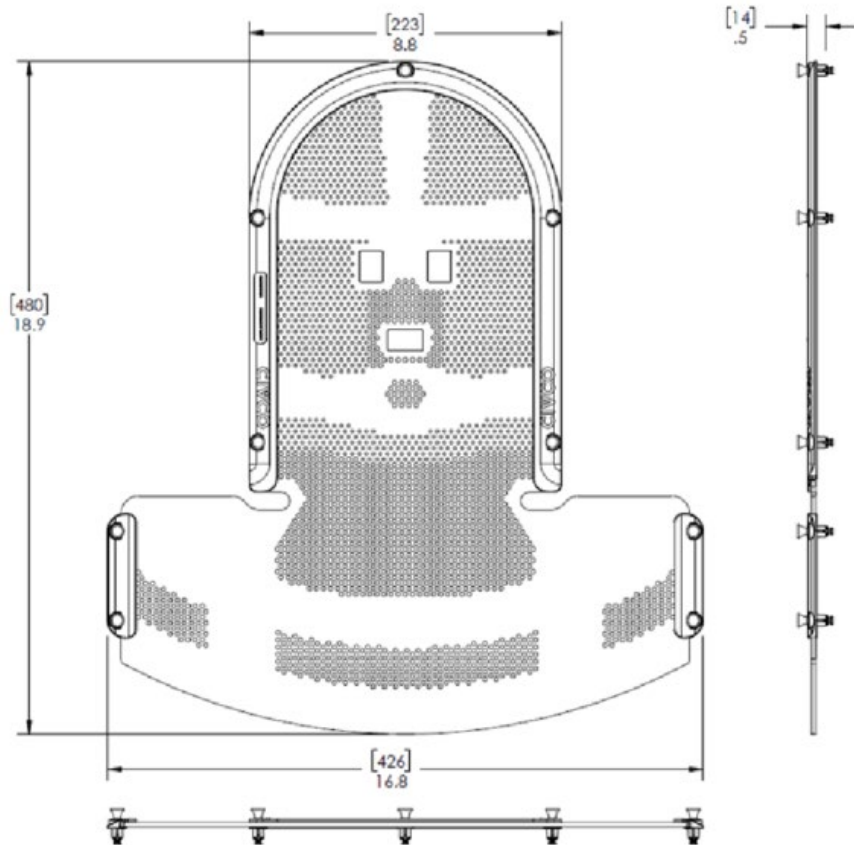
Technical Drawing



Technical Details

Product Name	ProForm™ FreedomView™ IMRT Style 18, Head Neck & Shoulders Thermoplastic, Narrow
Product Number	PRO331IM1832CLN
Primary Materials	Polycaprolactone, Black PC
Weight (approx)	0.46 kg / 1.02 lbs
Dimensions (mm)	480 L x 223 W x 14 H

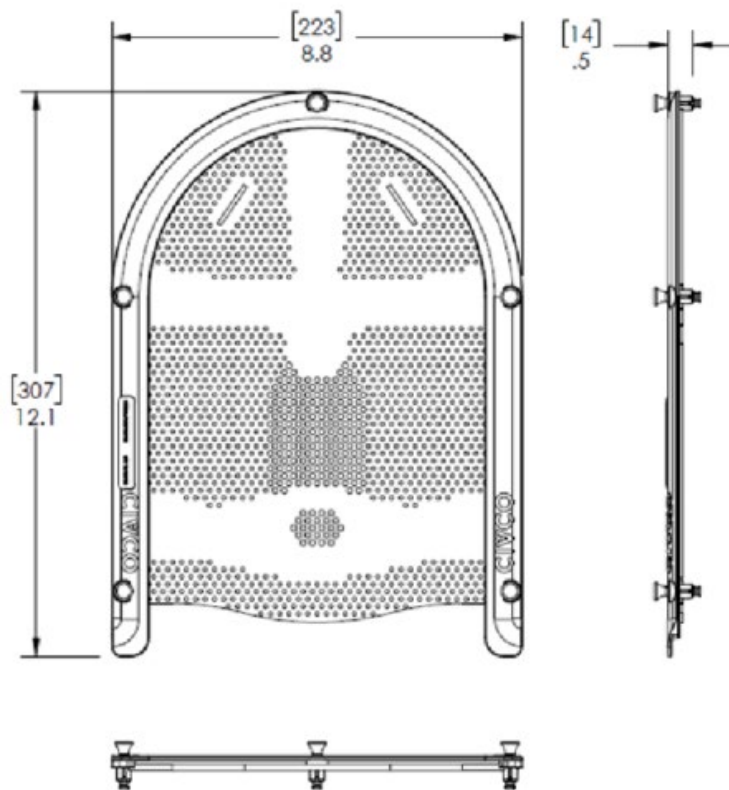
Technical Drawing



Technical Details

Product Name	ProForm™ IMRT Reinforced Style 18, Head Only Thermoplastic w/ Hair Openings
Product Number	PRO330IM1832PT
Primary Materials	Polycaprolactone, Black PC
Weight (approx)	0.22 kg / 0.48 lbs
Dimensions (mm)	307 L x 223 W x 14 H

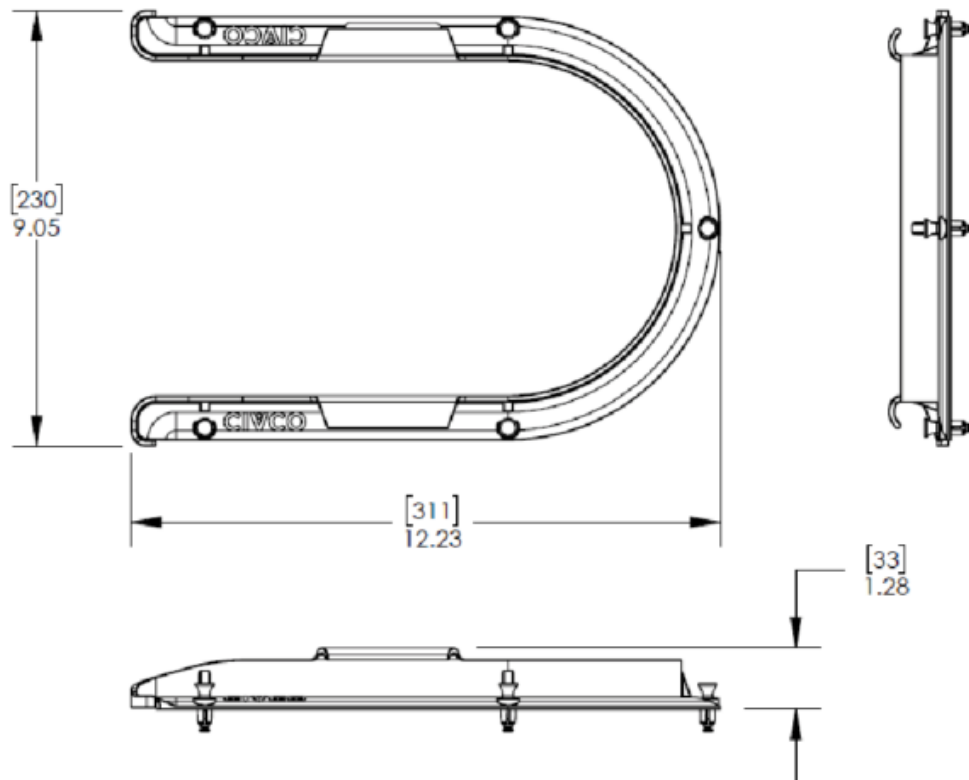
Technical Drawing



Technical Details

Product Name	ProForm™ Cushion Guide
Product Number	PRO350
Primary Materials	Polycarbonate and Polyamide black
Weight (approx)	.02 kg / .4 lbs
Dimensions (mm)	311 L x 230 W x 33 H

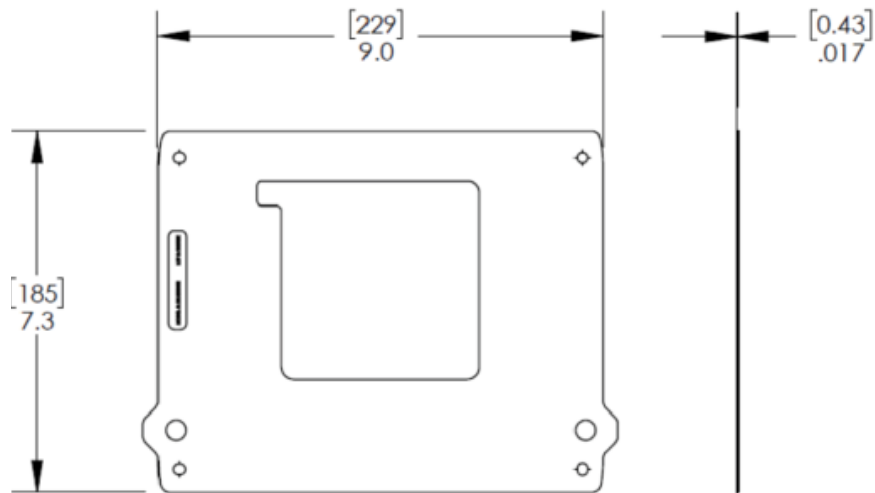
Technical Drawing



Technical Details

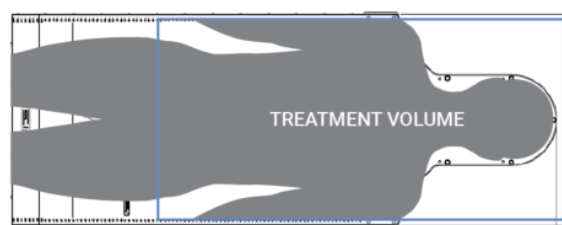
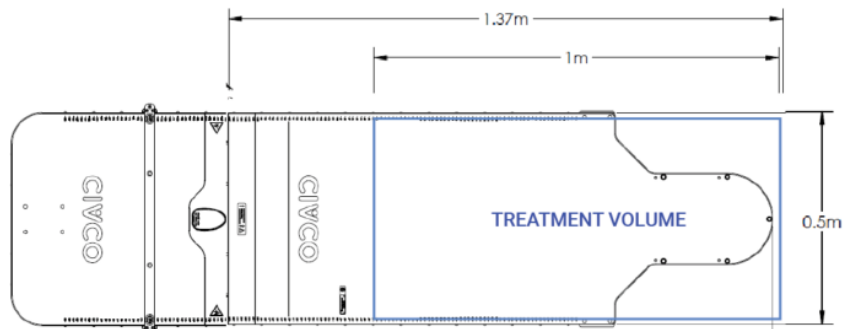
Product Name	ProForm Registration Film
Product Number	PRO340
Primary Materials	Polyester, 3M 9495LE
Weight (approx)	.02 kg / .04 lbs per film
Dimensions (mm)	185 L x 229 W

Technical Drawing



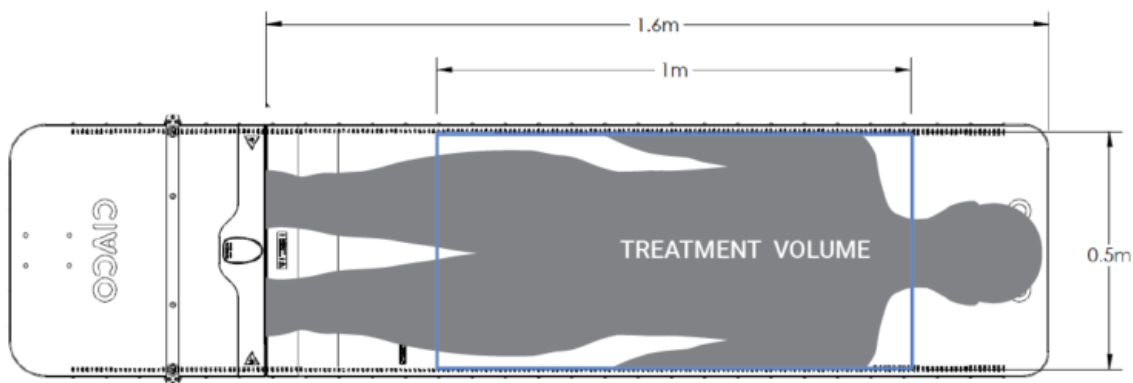
IBA Systems Proteus® ONE and Proteus PLUS Treatment Area

MTIL6675 with pedestal




99 Percentile Man 1.92 m (6'4")

MTIL6673 with pedestal



WET Values

	Product & Part Numbers	Location or Material Tested	Thickness	Proton Water Equivalency (R80)
	Rectangular Extension MTIL6673 MTIL6676	● Center of Extension	5.0 cm	8.2 mm
	Rectangular Extension MTIL6660 MTIL6684	● Center of Extension	5.0 cm	7.4 mm
	ProForm Extension MTIL6675	● Center of Head Area ● Center of Extension	5.0 cm	7.4 mm
	ProForm Extension MTIL6679 MTIL6683	● Center of Head Area ● Center of Extension	5.0 cm	8.2 mm
	Standard White Head Only PRO330	● Center of Head Area	3.2 mm	2.9 mm
	ProForm™ Thermoplastic Styles PRO330IM1832 PRO330IM1832CL PRO330IM1832PT PRO330IM1832SG PRO330SPN32 PRO331IM1832 PRO331IM1832CL PRO331IM1832CLN PRO331IM1832N PRO331IM1832S PRO3311832SGN	● Center of Nose Area ● Solid Reinforcement Area ● Cheek Area	3.2 mm	3.0 mm 3.6 mm 3.4 mm

	Product & Part Numbers	Location or Material Tested	Thickness	Proton Water Equivalency (R80)
	ProForm Registration Film PRO340	● Center	0.43 mm	0.5 mm (R90)