

GrayDuck Stents™ and GrayDuck Dart™

Oral Positioning Devices

TECHNICAL DATA SHEET




PRODUCT NAMES	GrayDuck Stent and GrayDuck Dart
PRODUCT NUMBERS	GDS001 GrayDuck Stent, medium size GDS002 GrayDuck Stent, small size GDS003 GrayDuck Dart
GENERAL DESCRIPTION	GrayDuck Stent and GrayDuck Dart are currently the only custom-fitted bite block systems that can position the tongue in one of several positions; laterally (left or right), depressing (downward) or a combination thereof.
INDICATIONS FOR USE	The GrayDuck Stent and GrayDuck Dart are intended to be used by or under the direction of a licensed physician for repeat positioning and immobilization of a patient's tongue and jaw while undergoing or receiving a course of external beam radiation therapy for treatment of cancer and other diseases.
MR SAFE	Yes
INTEGRATION	The products may be used with many types of thermoplastic masks.
FDA CLEARANCE	Yes
CE MARKED (EU DOC)	Yes
OTHER COUNTRY REGISTRATIONS	Available upon request.
COUNTRY OF MANUFACTURE	USA

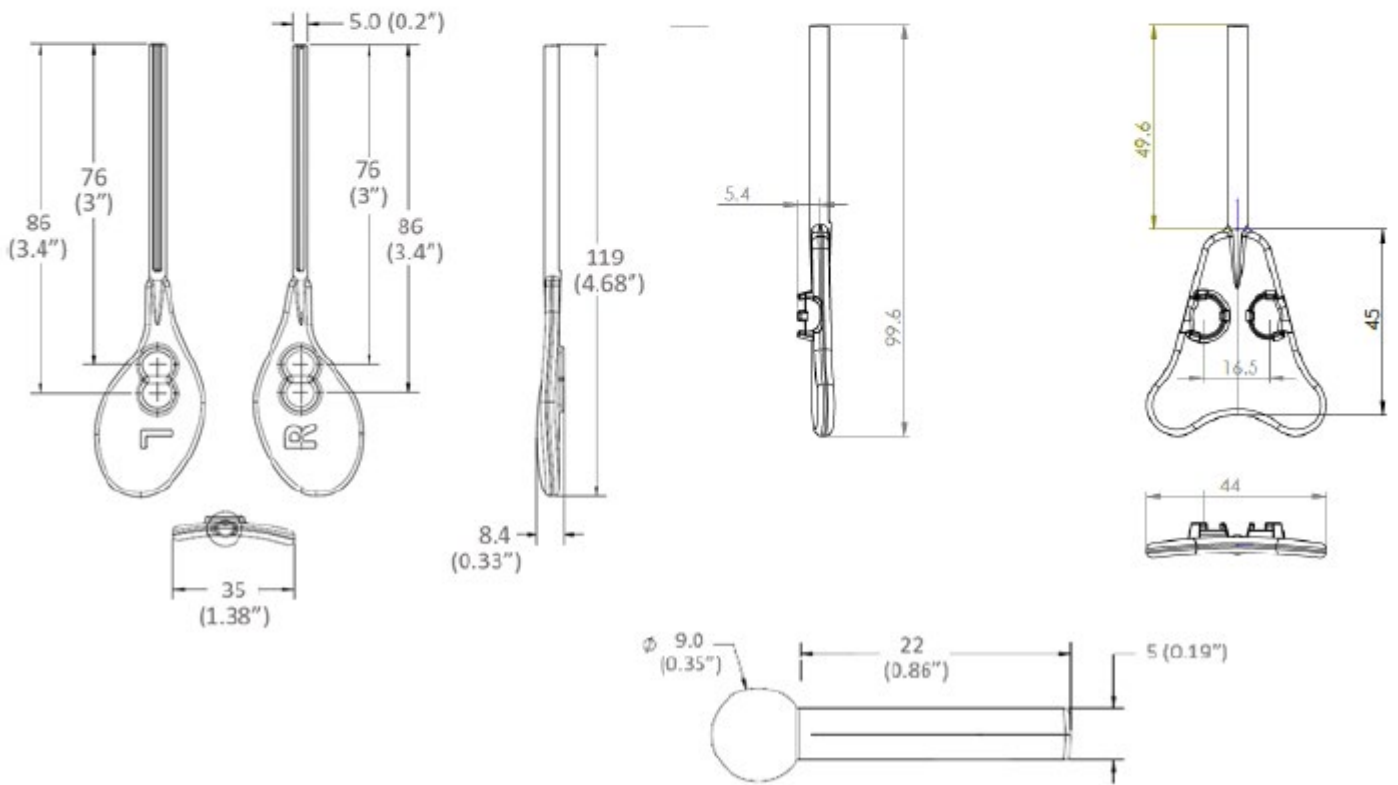
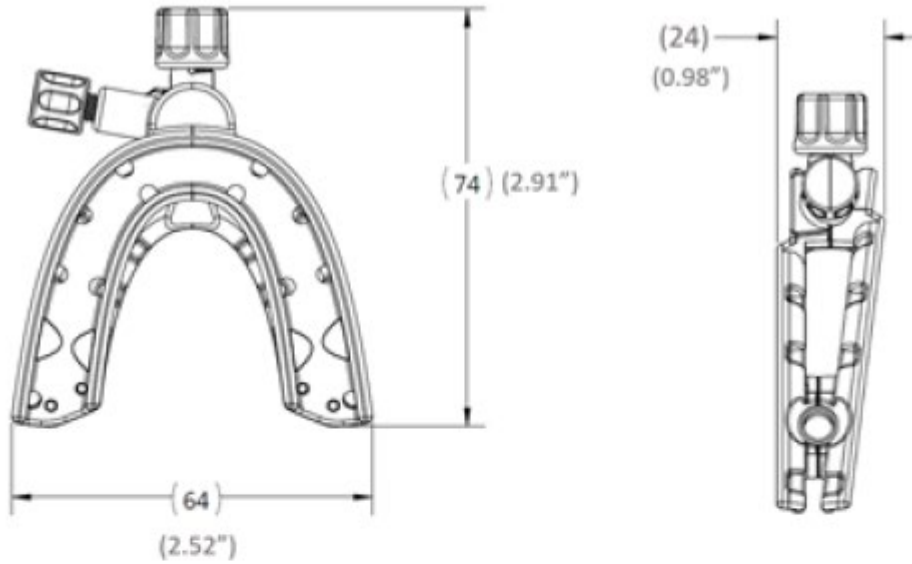
PACKAGING

UNIT PACK	Each
UNITS / BOX	Four
SHELF LIFE	n/a
WARRANTY	See website for Product Warranty Statement
STERILIZATION	Not sterile

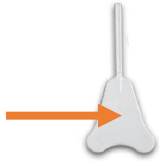
TECHNICAL DETAILS

COMPONENT	GDS001 GrayDuck Stent, medium size	
PRIMARY MATERIALS	Polycarbonate. Ethylene Vinyl Acetate	
WEIGHT (APPROX)	2 oz (56 g)	
DIMENSIONS (MM)	2.91" x 2.52" x 0.98" (7.3 cm x 6.5 cm x 2.5 cm)	
DOSIMETRIC PROPERTIES	LOCATION	PROTON WATER EQUIVALENCY R80
	Middle of the tongue depressor 	0.44 cm
	Performance Specifications are for reference only, values may vary based on setup and equipment.	

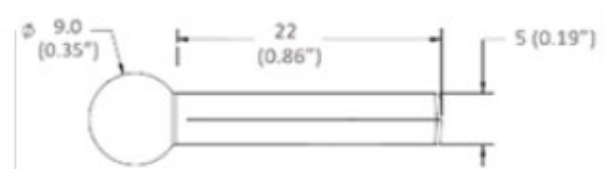
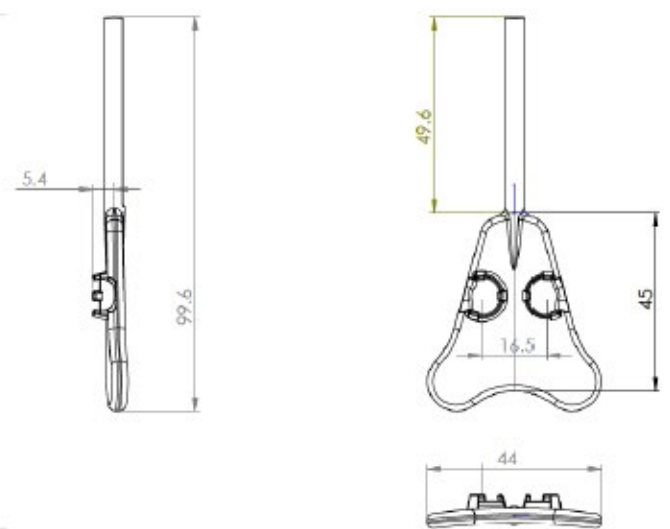
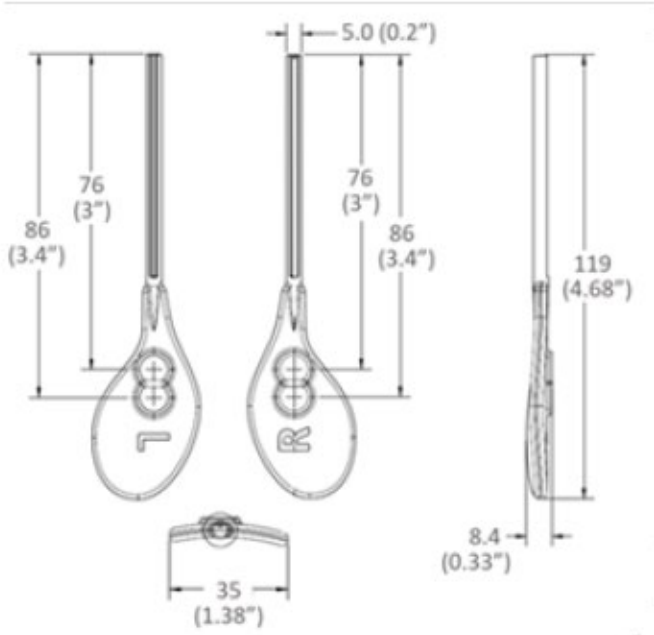
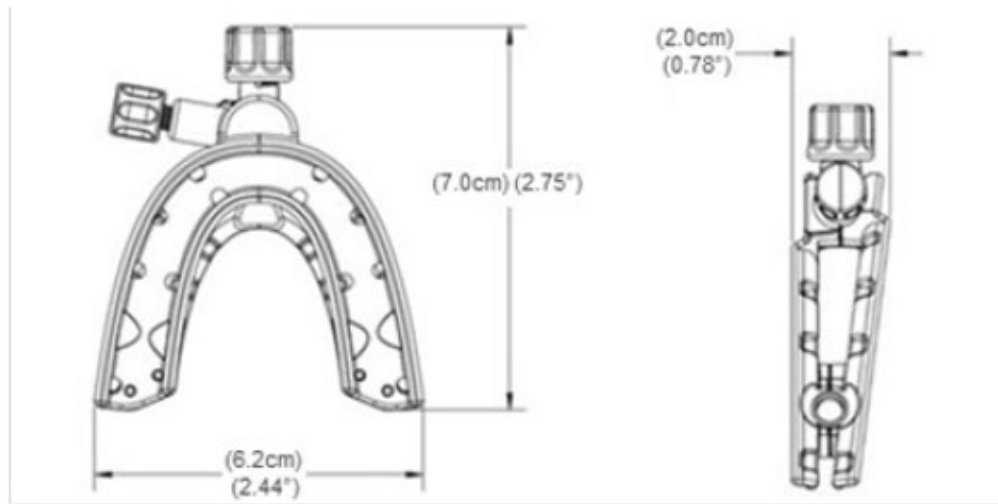
TECHNICAL DRAWING - GDS001



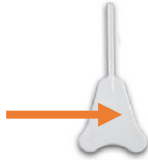
TECHNICAL DETAILS

COMPONENT	GDS002 GrayDuck Stent, small size	
PRIMARY MATERIALS	Polycarbonate. Ethylene Vinyl Acetate	
WEIGHT (APPROX)	1.8 oz (52 g)	
DIMENSIONS (MM)	2.75" x 2.4" x 0.78" (7.0 cm x 6.2 cm x 2.0 cm)	
DOSIMETRIC PROPERTIES	LOCATION	PROTON WATER EQUIVALENCY R80
	Middle of the tongue depressor 	0.44 cm
	Performance Specifications are for reference only, values may vary based on setup and equipment.	

TECHNICAL DRAWING - GDS002



TECHNICAL DETAILS

COMPONENT	GDS003 GrayDuck Dart	
PRIMARY MATERIALS	Polycarbonate. Ethylene Vinyl Acetate	
WEIGHT (APPROX)	1.4 oz (40 g)	
DIMENSIONS (MM)	2.06" x 1.87" x 1.87" (5.2 cm x 4.7 cm x 4.7 cm)	
DOSIMETRIC PROPERTIES	LOCATION	PROTON WATER EQUIVALENCY R80
	Middle of the tongue depressor 	0.44 cm
	Performance Specifications are for reference only, values may vary based on setup and equipment.	

TECHNICAL DRAWING - GDS003

