

Body Pro-Lok™ Exact® IGRT/CT Rails-Only

CIVCO RT Technical Data Sheet



Product Name	Exact IGRT/CT Rails-Only
Product Number	MTSBRT060
General Description	Aids in providing comfortable, total body immobilization for hypo-fractionated treatments
Indications for use	SBRT Patient Immobilization
MRI Compatible	No
Integration	Clamps to the IGRT couchtop profile and Exact Indexing CT overlays with an edge thickness of 0.76"-0.975" (19.3mm-24.8mm)
FDA Clearance	Yes
CE Marked (EU DOC)	Yes
Other Country Registrations	Available upon request
Country of Manufacture	USA

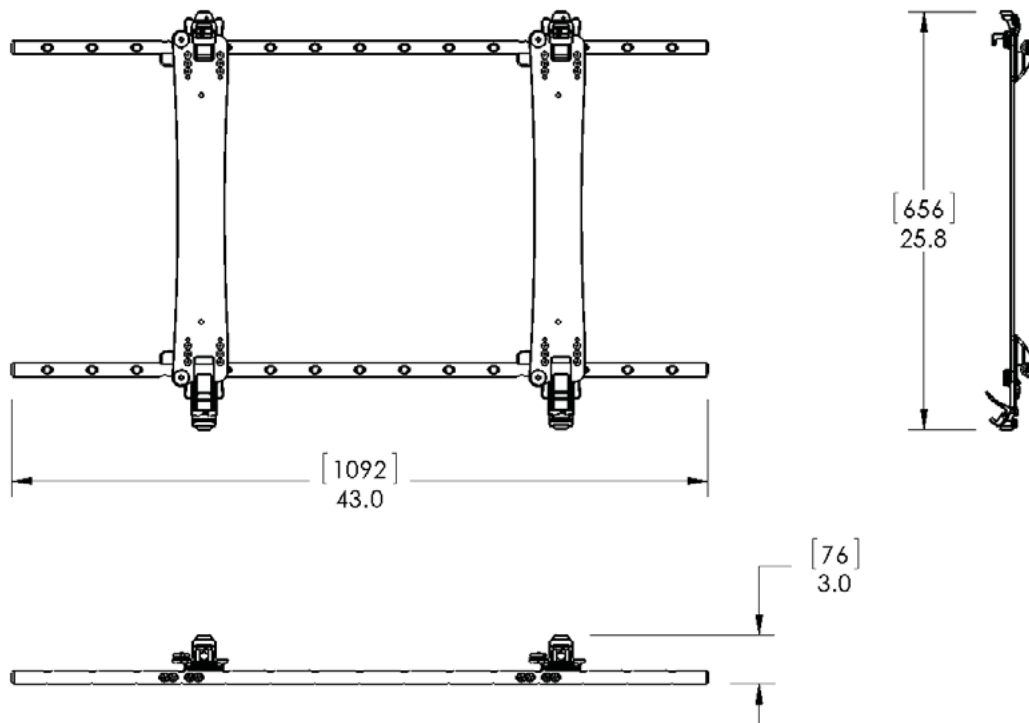
Technical Details

Primary Materials Carbon Fiber, Black Acetal, Fiberglass (Garolite), Anodized Aluminum

Weight (approx) 2.99 kg / 6.6 lbs

Dimensions (mm) 1092 L x 656 W x 76 H (min.)

Technical Drawing



Packaging

Unit Pack	Each
Units / Box	One device - may have several component parts in box
Shelf Life	n/a
Warranty	See CIVCO RT website for Product Warranty Statement
Sterilization	Non-Sterile
Launch Date	September 2015

Accessories

System Customization	Clam-Lok™ Cushion: MTSBRT202 T-Shape Vac-Lok™: MTVL0017 Kneefix™ 3: 301052 Elevation Blocks: 301055 Feetfix™ 3: 301071 Monarch™ Overhead Arm Positioner: OPA110 Extended Wing Board™ w/ T-Grip Handles: MTWB08T Extended Wing Board w/ U-Grip Handles: MTWB08U Patient Handles, Right: MTSBRT005 Patient Handles, Left: MTSBRT0051 Rails-Only T-Pin Lok-Bars™, Two-Pin: MTSBRT055 Rails-Only T-Pin Lok-Bars, Three-Pin: MTSBRT054 Respiratory Belt: MTSBRT015 Standard Respiratory Plate: MTSBRT003 Wide Respiratory Plate: BPL008 Type 1B Bridge: MTSBRT039 Type 2 Bridge: MTSBRT007 Type 3 Bridge: MTSBRT031
-----------------------------	---

Global Sales Office

Orange City, Iowa, USA
800.842.8688 | +1 712.737.8688

info@CivcoRT.com
www.CivcoRT.com

