

Combifix™ 3

CIVCO Technical Data Sheet



Product Name	Combifix 3	
Product Number	151004MR	Combifix 3 for lower extremity positioning. Includes Combifix 3 Baseplate, Kneefix™ 3 Cushion, Elevation Block 3, Feetfix™ 3 Cushion and Feetfix 3 Couch Support.
	151005MR	Combifix 3 for lower extremity positioning. Includes Combifix 3 Baseplate, Low Kneefix 2 Cushion, Elevation Block 3, Feetfix 3 Cushion and Feetfix 3 Couch Support.
	302071MR	Feetfix 3 Couch Support (cushion not included)
General Description	The Combifix 3 is a baseplate designed to combine the Kneefix 3 and Feetfix 3 cushions, providing comfortable positioning with enhanced immobilization when treating the pelvic region and other lower extremities.	
Indications for use	The device is intended for positioning the hip and lower extremities of a patient during radiotherapy and diagnostics and is used to aid in the support and positioning of patients during an MRI.	
MRI Compatible	Yes	
Integration	2 or 3-Pin indexable	
FDA Clearance	Yes	
CE Marked (EU DOC)	Yes	
Other Country Registrations	Available upon request	

Country of Manufacture USA

Technical Details

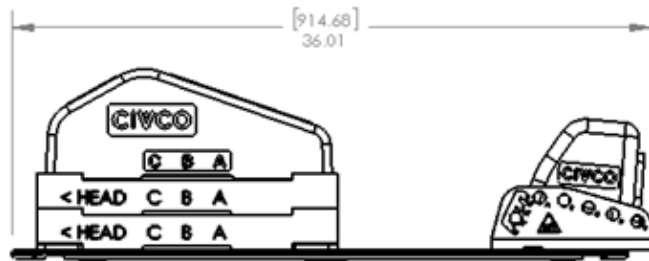
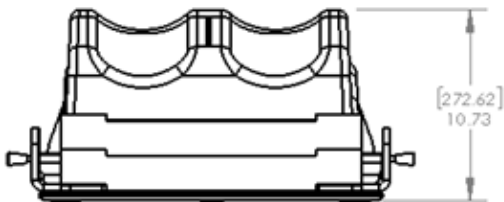
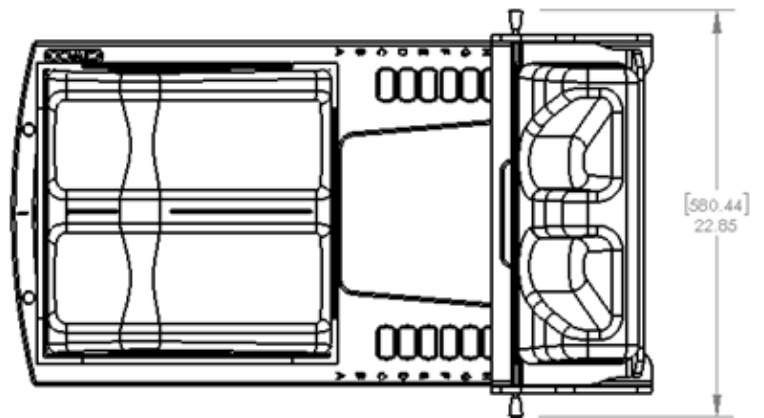
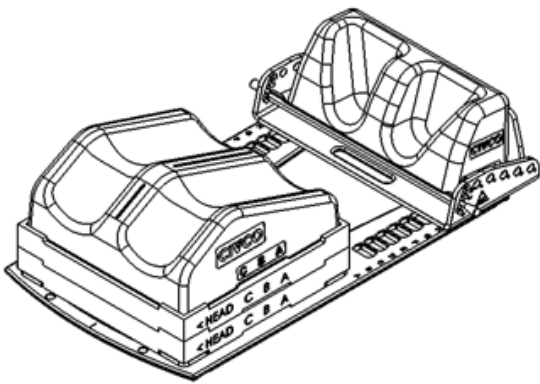
Product Name Combifix 3

Product Number 151004MR

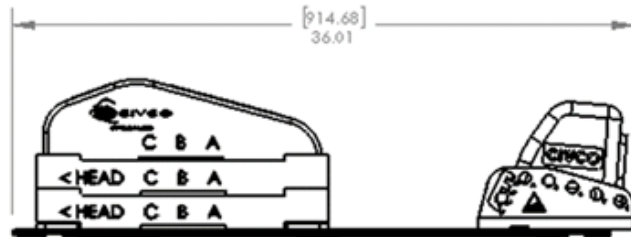
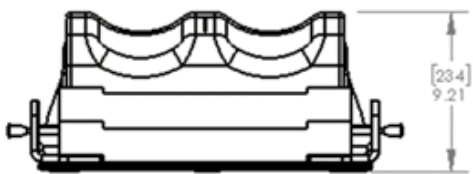
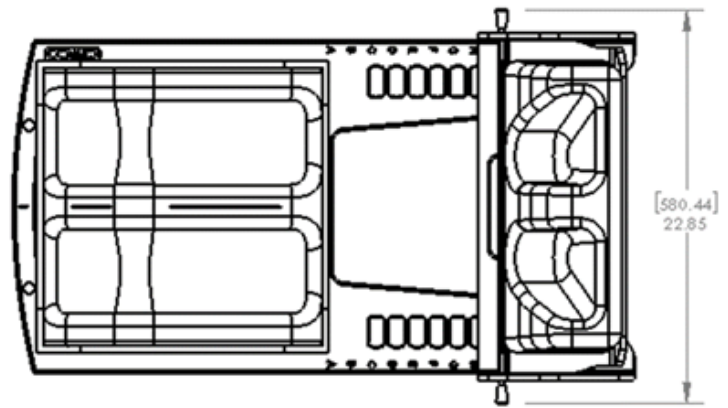
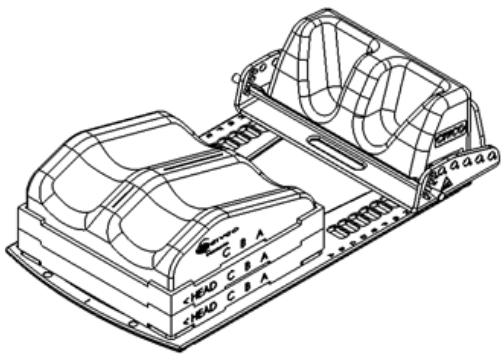
Primary Materials PVC (Baseplate), Polyethylene (Cushions)

Weight (approx) 20.3 lbs (9.2 kg)

Dimensions (mm) 915 L x 580 W x 273 H



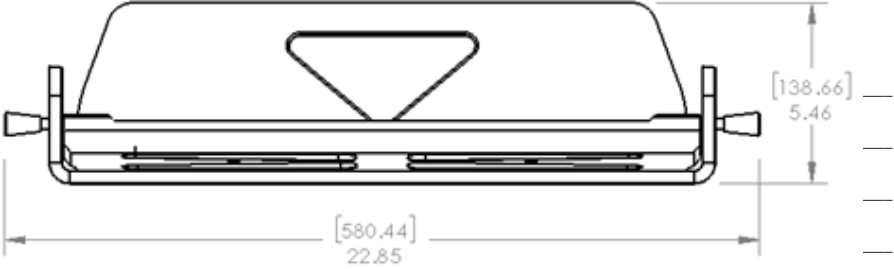
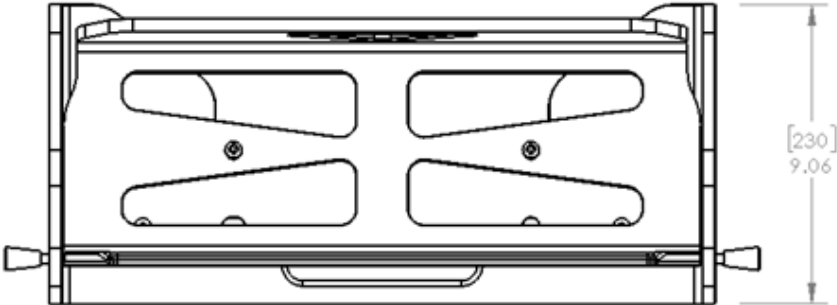
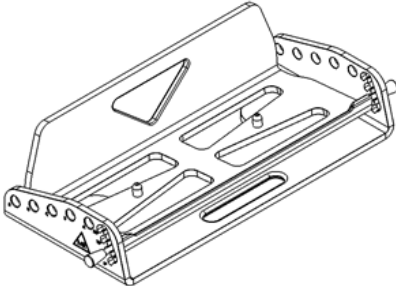
Technical Drawing



Dimensions (mm)

915 L X 580 W X 234 H

Technical Drawing



Dimensions (mm)

139 L x 580 W x 139 H

Global Sales Office

Orange City, Iowa, USA
800.842.8688 | +1 712.737.8688

info@CivcoRT.com
www.CivcoRT.com

COPYRIGHT © 2018. CIVCO IS A REGISTERED TRADEMARK OF CIVCO MEDICAL SOLUTIONS. COMBIFIX, FEETFIX AND KNEEFIX ARE TRADEMARKS OF CIVCO. ALL OTHER TRADEMARKS ARE PROPERTY OF THEIR RESPECTIVE OWNERS. ALL PRODUCTS MAY NOT BE LICENSED IN ACCORDANCE WITH CANADIAN LAW. 2018P1347 REV.A

