

# Body Pro-Lok ONE™ Rails-Only for Varian Exact® and IGRT Style Couchtops

## CIVCO RT Technical Data Sheet



<b>Product Name</b>	Body Pro-Lok ONE Varian Exact/IGRT Rails- Only
<b>Product Number</b>	BPL020
<b>Kits that include this product</b>	BPL300
<b>General Description</b>	Allows for connection of Body Pro-Lok ONEBridge™, ONE Respiratory Belt and other Body Pro-Lok ONE devices to aid in providing comfortable, total body immobilization for hypo-fractionated treatments
<b>Indications for use</b>	SBRT Patient Immobilization
<b>MRI Compatible</b>	No
<b>Integration</b>	Clamps to the IGRT couchtop profile and Exact Indexing CT overlays with an edge thickness of 0.76"–0.975" (19.3 mm–24.8 mm)
<b>FDA Clearance</b>	Yes
<b>CE Marked (EU DOC)</b>	Yes
<b>Other Country Registrations</b>	Available upon request

---

# Technical Details

---

**Primary Materials** Carbon Fiber, Black Acetal, Aluminum, Stainless Steel

---

**Weight (approx)** 2.49 kg / 5.5 lbs

---

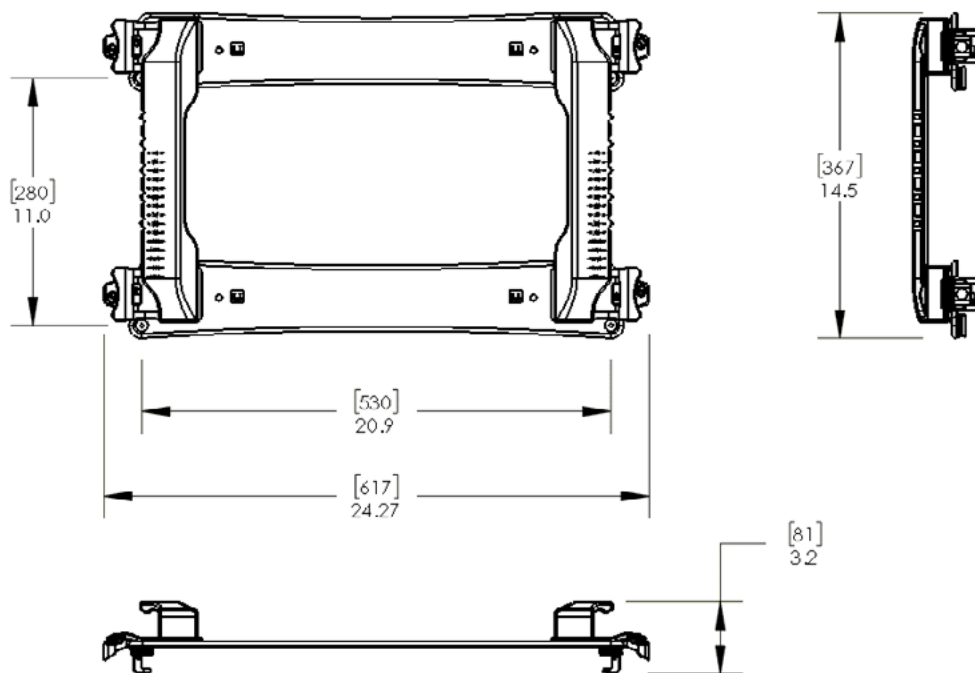
**Dimensions (mm)** 367 L x 617 W x 81 H

---

**Attenuation** Carbon Fiber Crossbar: 6 MV: 4.6%  
18 MV: 3.0%

---

## Technical Drawing



---

**Country of Manufacture** USA

---

---

# Packaging

---

<b>Unit Pack</b>	Each
<b>Units / Box</b>	One device - may have several component parts in box
<b>Shelf Life</b>	n/a
<b>Warranty</b>	<a href="#">See CIVCO RT website for Product Warranty Statement</a>
<b>Sterilization</b>	Non-Sterile
<b>Launch Date</b>	November 2016

---

# Compatible Accessories

---

<b>System Customization</b>	ONEBridge™: BPL001 ONE Respiratory Belt: BPL026
-----------------------------	--

---

## Global Sales Office

Orange City, Iowa, USA  
800.842.8688 | +1 712.737.8688

info@CivcoRT.com  
www.CivcoRT.com

